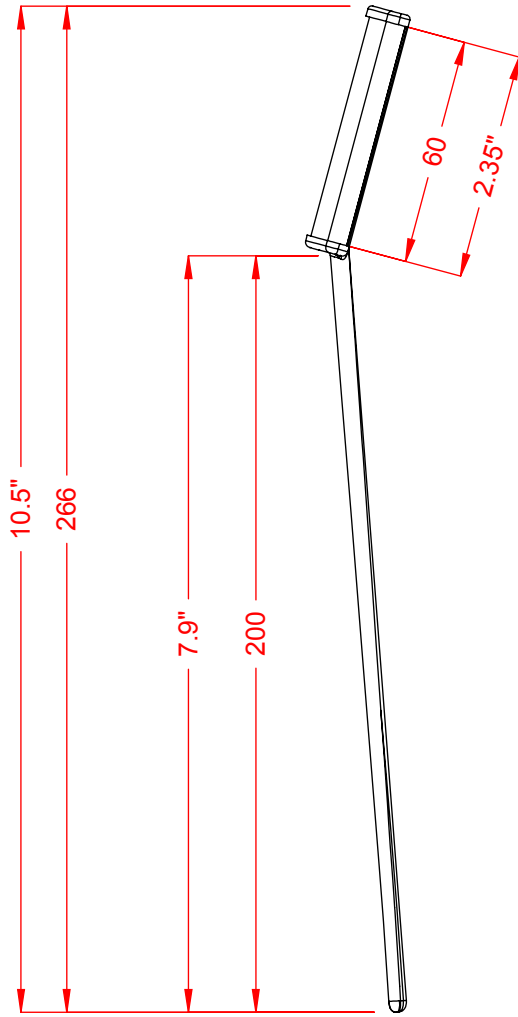
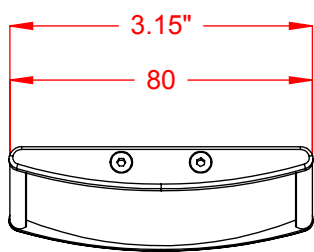


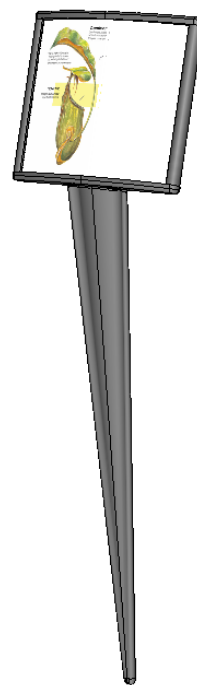
Front View



Side View



Top View



Isometric View
Scale: 1:2.5



Project	MCFT #2626	Designer: Nir Abikzer
Model	V80X60 with Special End Cap for Planet	Date: 28/02/2008
Part Number	Assembly-2626	Scale: 1:2
Material		Measurements in millimeters/Inches Do not scale drawing

PROPRIETARY AND CONFIDENTIAL
 THE INFORMATION CONTAINED IN THIS DRAWING IS THE SOLE PROPERTY OF **VISTA SYSTEM**.
 ANY REPRODUCTION IN PART OR AS A WHOLE WITHOUT THE WRITTEN PERMISSION OF **VISTA SYSTEM** IS PROHIBITED