

Display Signs

Post Sign, Vista Expand series P&P portrait style



Vista Expand's portrait P&P sign is built of central double sided profiles and covering profiles that create deep tracks to better grip the inserts. The sign can be installed using metal construction profiles inserted into the ground.

Dimensions:

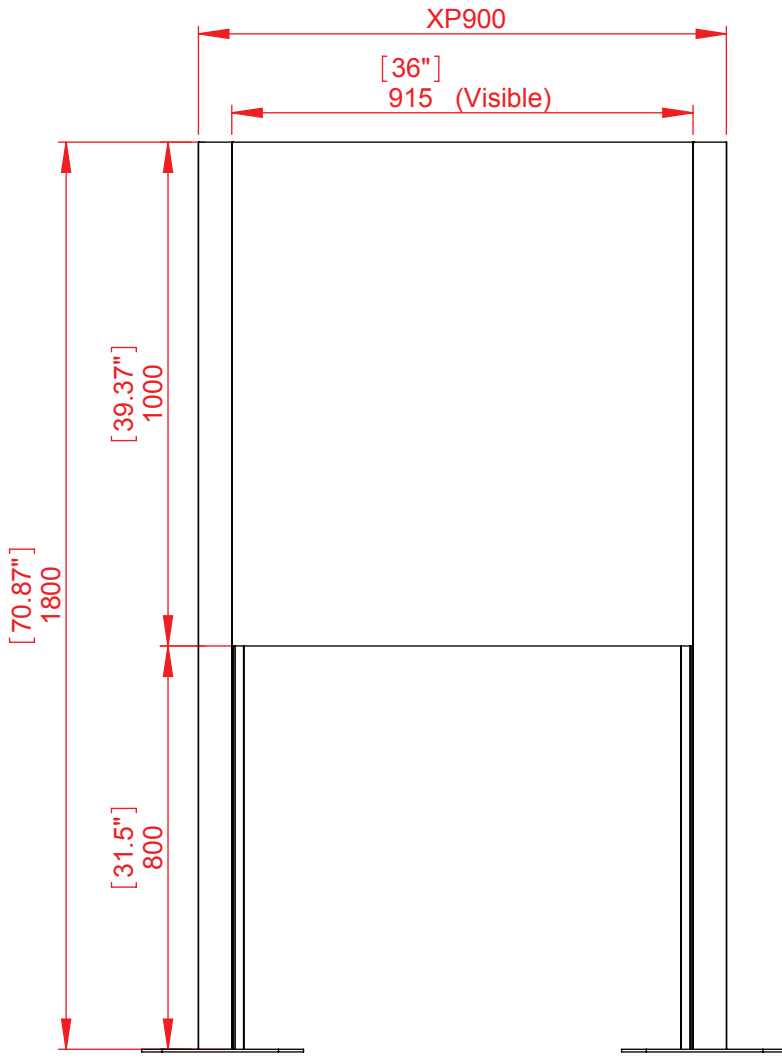
Vista Expand portrait P&P sign frames are offered in 7 different widths:

28", 32", 36", 40", 44", 48", 55"

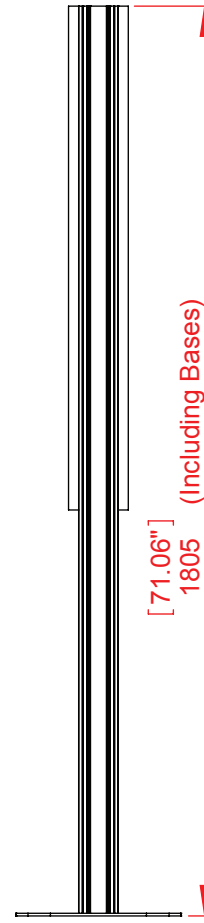
XP700, XP800, XP900, XP1000, XP1100, XP1200, XP1400 (mm))

Length: 35.5"-80" (900 mm – 2000 mm)

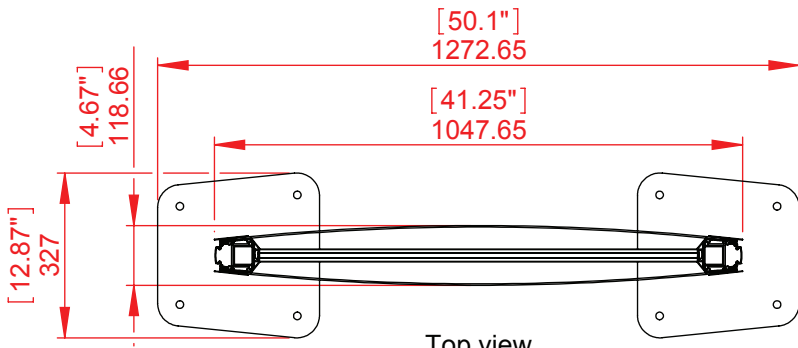
Custom lengths are available.



Front view



Side view



Top view



Isometric view



Project	RFD #3838- Technical	Designer: R.C
Model	Portrait Post & Panel XP900x1000	Date: 03/05/2016
Part Number	PPXPP7	Scale:
Material		Measurements in millimeters Do not scale drawing

Proprietary and confidential: The information contained in this drawing is the sole property of Vista system Limited. Any reproduction; copying; distribution or any other use in part or as a whole without the written permission of Vista system Limited is prohibited. This ban includes any use by any third party that did not receive this information from Vista system Limited.