

Restaurant Menu Board

**Wall Frame, Vista Expand series,
Portrait / Landscape style**



Vista Expand extra large wall mounted sign features a smart design combined of a central one-sided profile and a covering profile. The latter is inserted into the main profile to create deep tracks to better grip the inserts.

Dimensions:

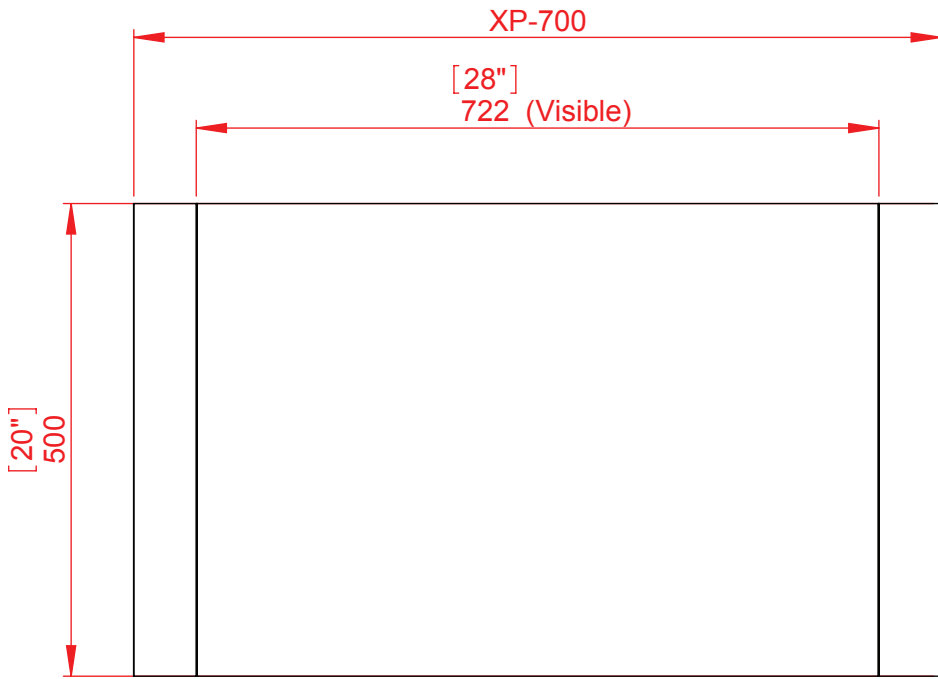
Vista Expand sign frames are offered in 7 different widths:

31.14", 35.16", 39.14", 43.15", 47.16", 51.14", 58.15"

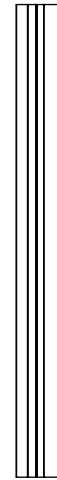
(XP700, XP800, XP900, XP1000, XP1100, XP1200, XP1400 (mm))

Length: 11.8"-118" (300 mm – 3000 mm)

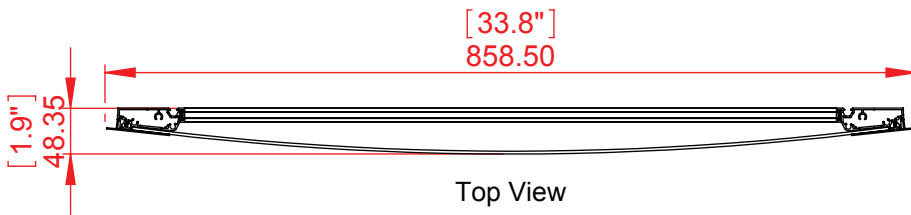
Custom lengths are available.



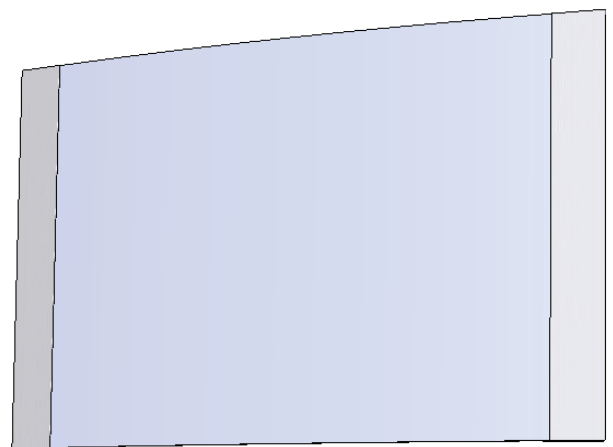
Front View



Side View



Top View

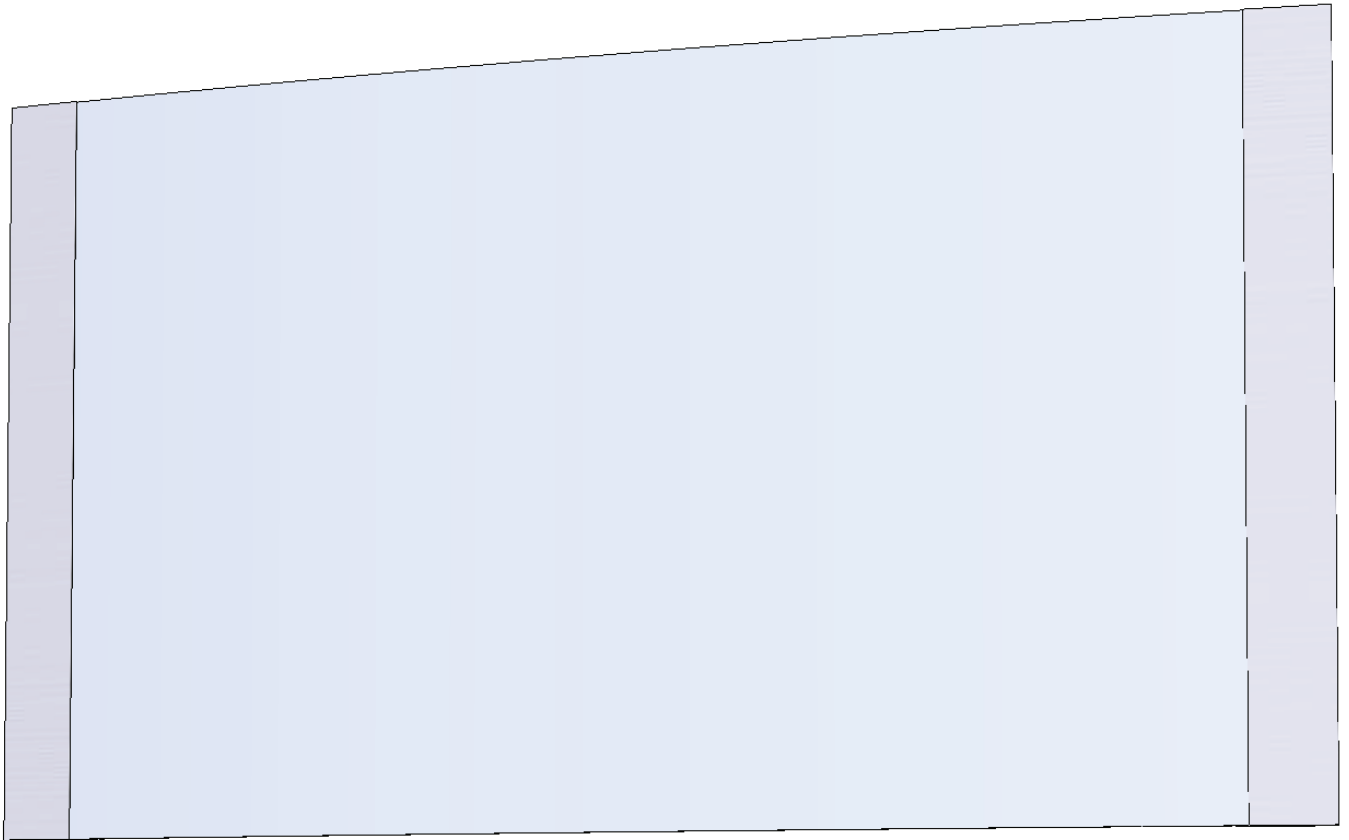


Isometric View



Project	Xpand System	Designer: R.S.
Model	Vertical Wall Frame Vista Xpand 700x500	Date: 09/09/2012
Part Number	WFXPP2	Scale:
Material		Measurements in millimeters Do not scale drawing

Proprietary and confidential: The information contained in this drawing is the sole property of Vista system Limited. Any reproduction; copying; distribution or any other use in part or as a whole without the written permission of Vista system Limited is prohibited. This ban includes any use by any third party that did not receive this information from Vista system Limited.



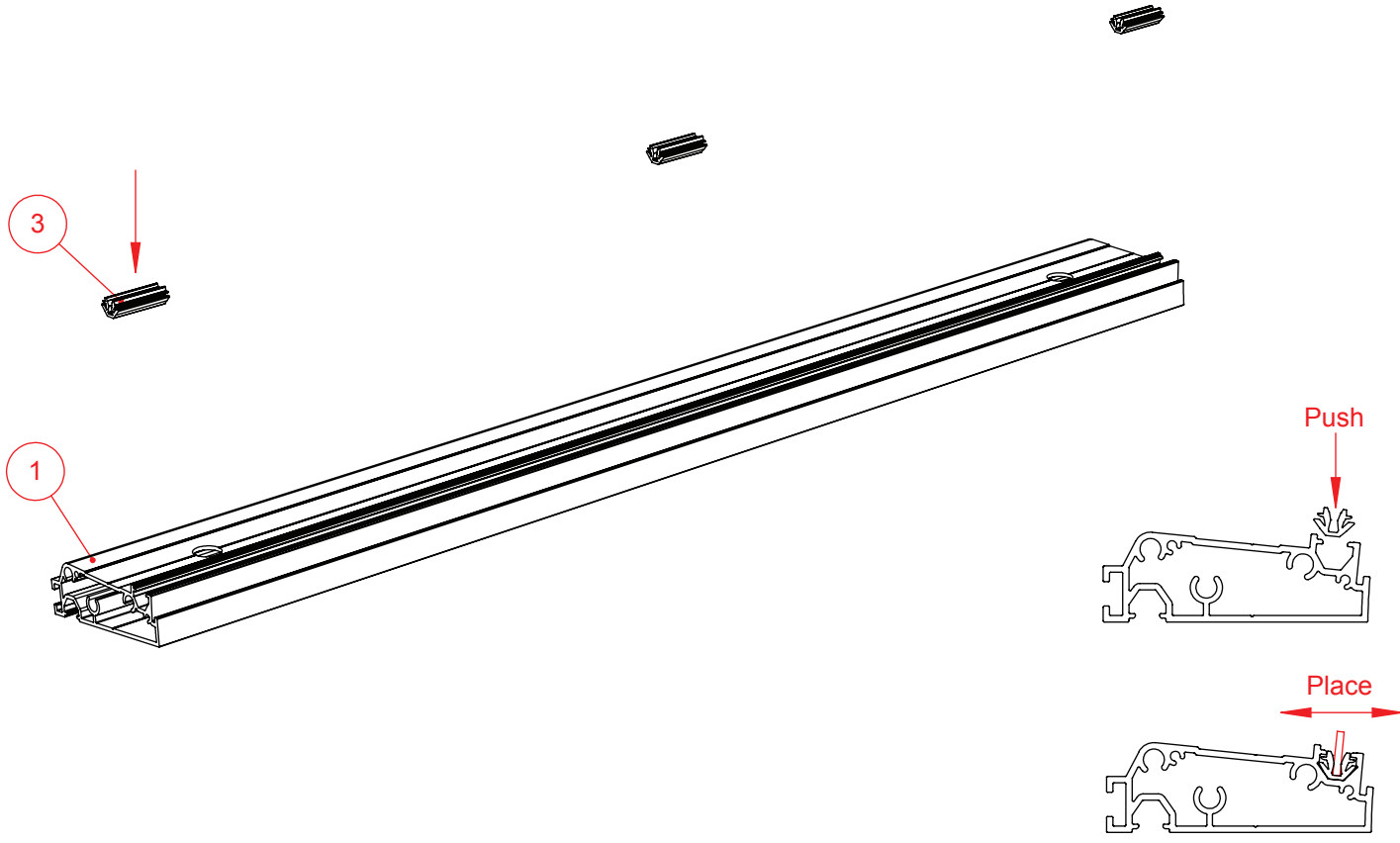
Xpand system

Wall Frame- Portrait- Connected XBond

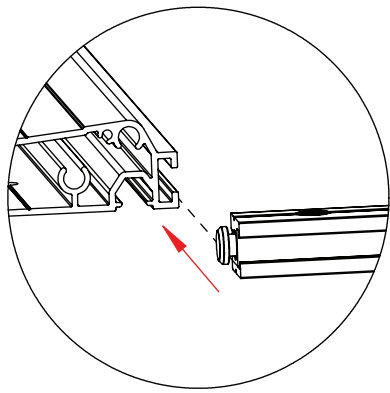
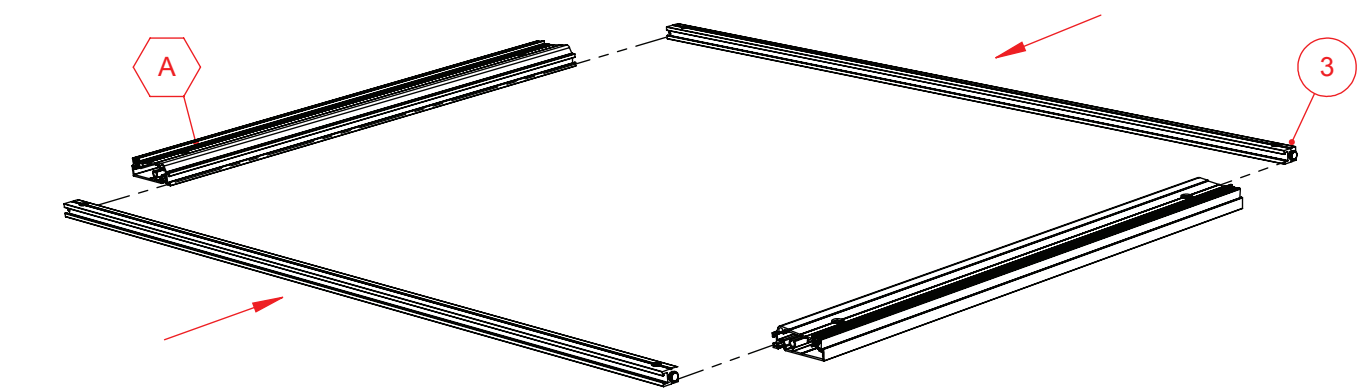
ASSEMBLY & INSTALLATION INSTRUCTIONS



Step A
x2



Step B



Detail view

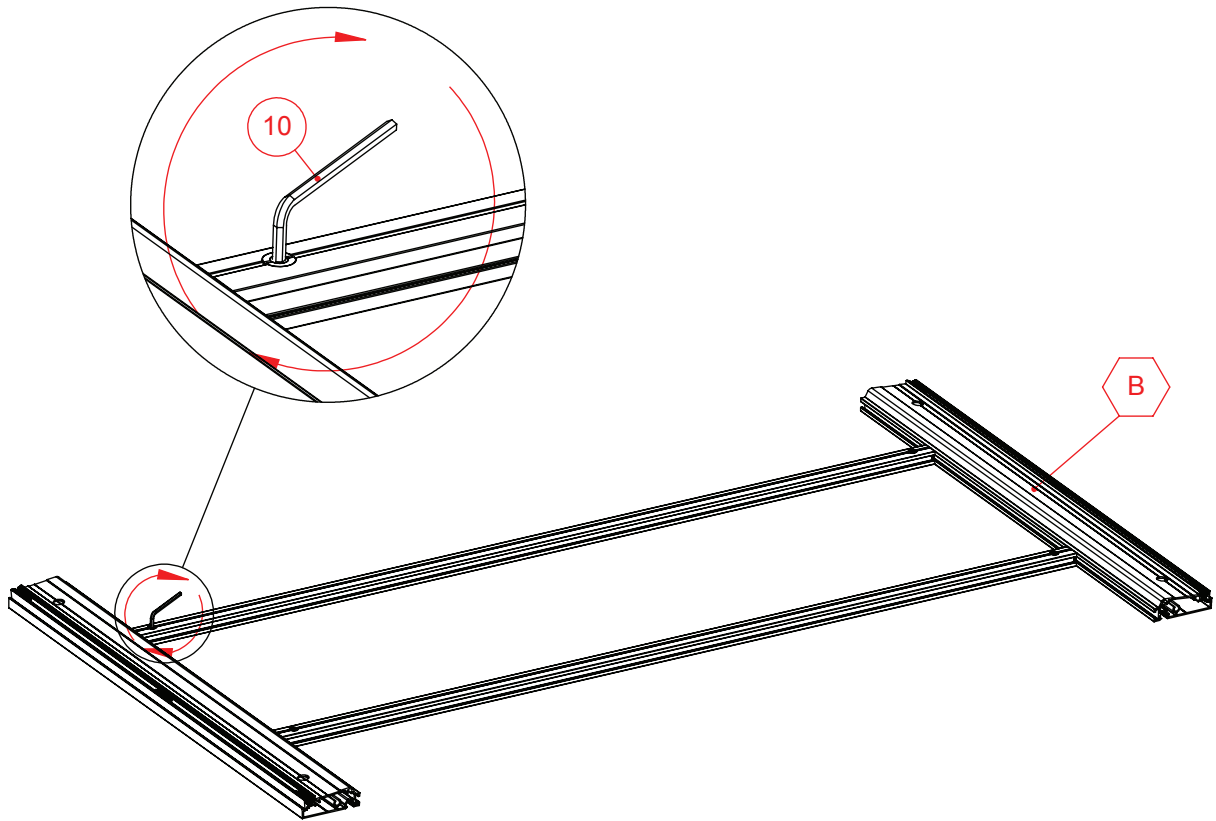
ITEM NO.	PART NUMBER	QTY.
1	SSVXP1x600	1
2	CWE	3
3	COXP1000-SS	2
A	Step A	2



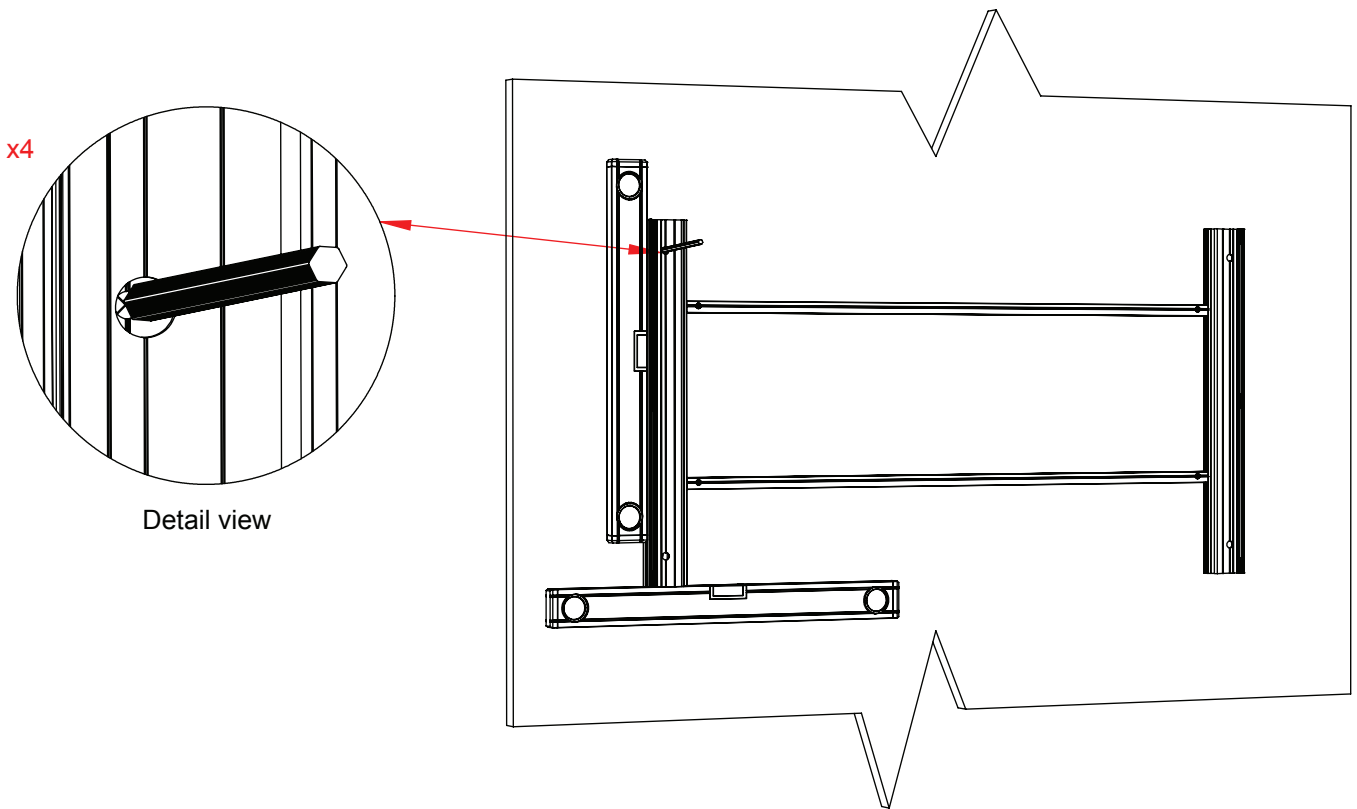
Project	Xpand system- GAI & Installation	Designer: S.M
Model	Wall Frame V1000- Connected XBond	Date: 11/09/2012
Part Number		Scale:
Material		Measurements in millimeters Do not scale drawing

Proprietary and confidential: The information contained in this drawing is the sole property of Vista system Limited. Any reproduction; copying; distribution or any other use in part or as a whole without the written permission of Vista system Limited is prohibited. This ban includes any use by any third party that did not receive this information from Vista system Limited.

Step C



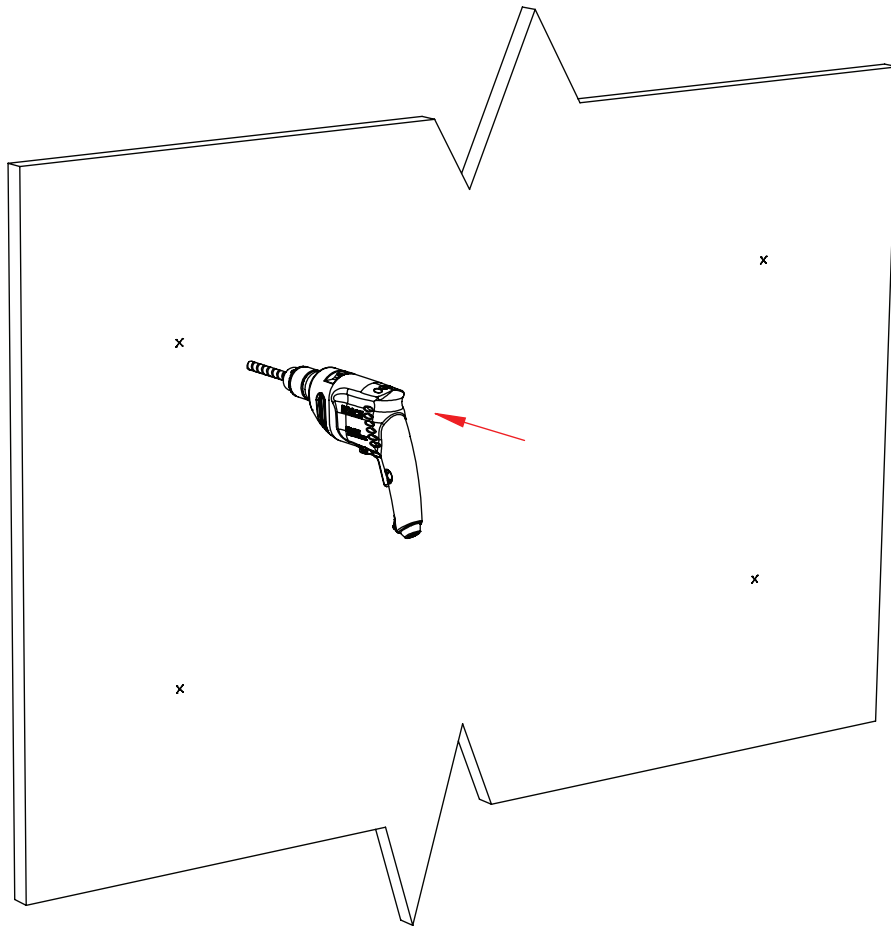
Step D



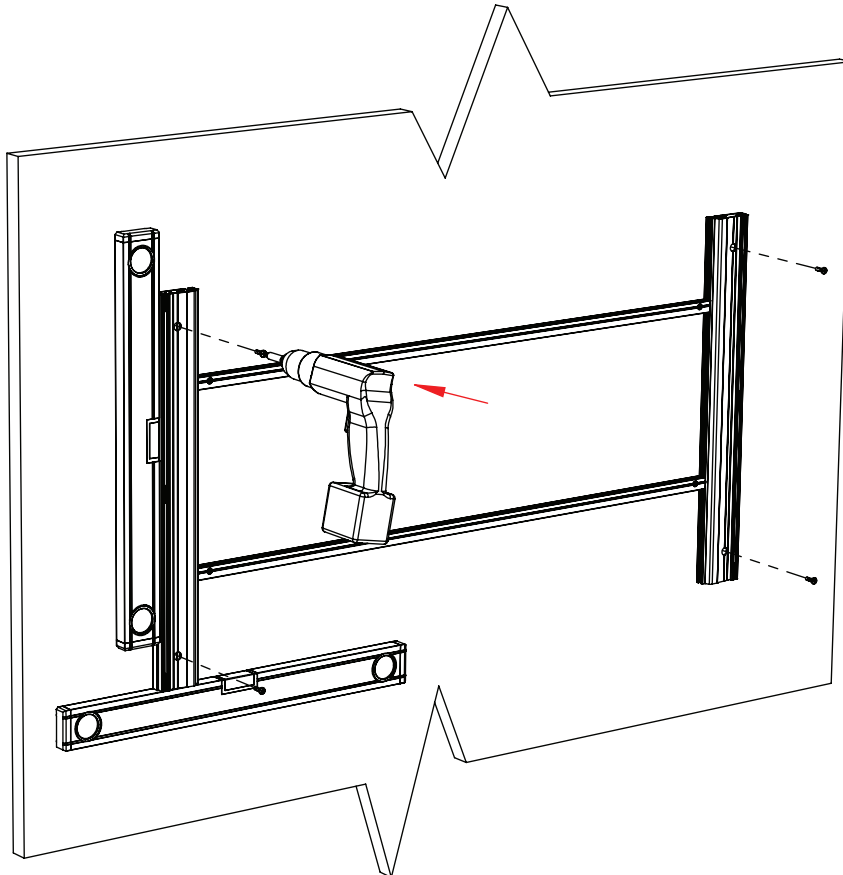
Project	Xpand system- GAI & Installation	Designer: S.M
Model	Wall Frame V1000- Connected XBond	Date: 11/09/2012
Part Number		Scale:
Material		Measurements in millimeters Do not scale drawing

Proprietary and confidential: The information contained in this drawing is the sole property of Vista system Limited. Any reproduction; copying; distribution or any other use in part or as a whole without the written permission of Vista system Limited is prohibited. This ban includes any use by any third party that did not receive this information from Vista system Limited.

Step E



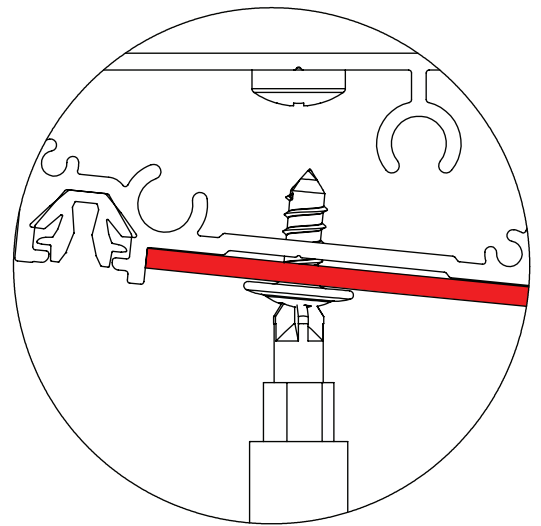
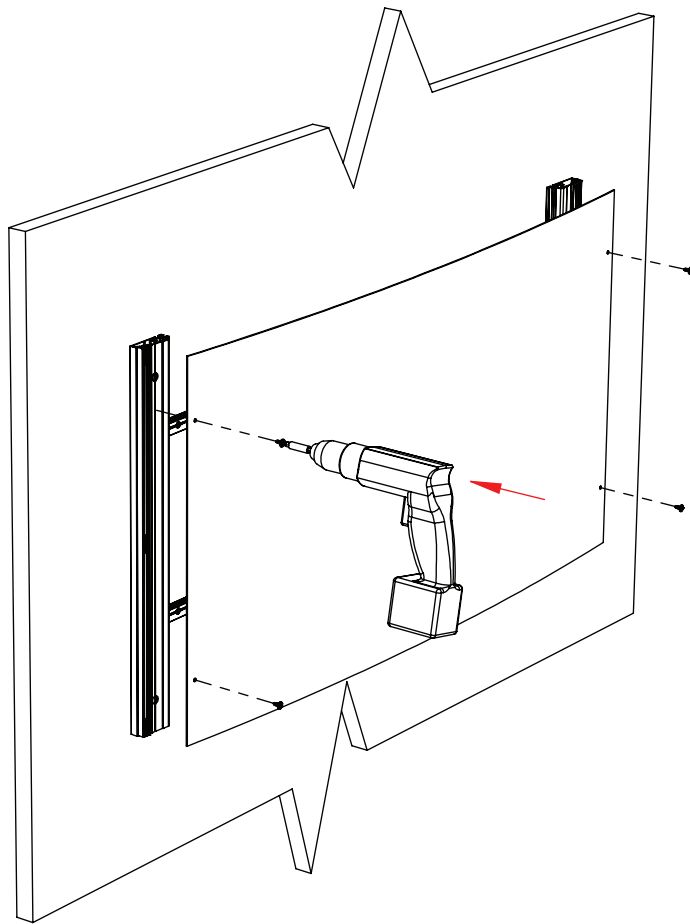
Step F



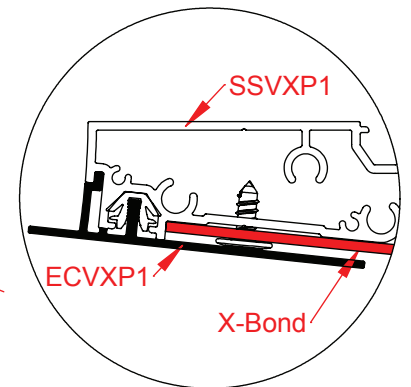
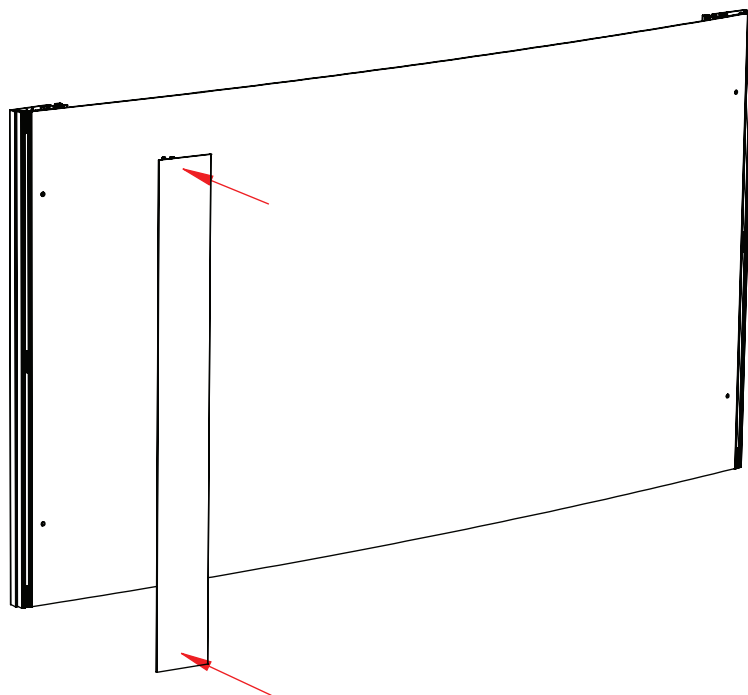
Project	Xpand system- GAI & Installation	Designer: S.M
Model	Wall Frame V1000- Connected XBond	Date: 11/09/2012
Part Number		Scale:
Material		Measurements in millimeters Do not scale drawing

Proprietary and confidential: The information contained in this drawing is the sole property of Vista system Limited. Any reproduction; copying; distribution or any other use in part or as a whole without the written permission of Vista system Limited is prohibited. This ban includes any use by any third party that did not receive this information from Vista system Limited.

Step G



Step H



Detail view



Project	Xpand system- GAI & Installation	Designer: S.M
Model	Wall Frame V1000- Connected XBond	Date: 11/09/2012
Part Number		Scale:
Material		Measurements in millimeters Do not scale drawing

Proprietary and confidential: The information contained in this drawing is the sole property of Vista system Limited. Any reproduction; copying; distribution or any other use in part or as a whole without the written permission of Vista system Limited is prohibited. This ban includes any use by any third party that did not receive this information from Vista system Limited.