

# Entrance sign

## Wall Frame, Vista Light series, Portrait / Landscape style



Vista Light's wall mounted sign includes a stylish curved aluminum frame that can be illuminated with the addition of interior LED lighting. The unique design of the Vista Light single sided profile allows the use of two panels for inserting temporary artwork that needs to be changed out often, such as posters.

### **Dimensions:**

Vista Light sign frames are offered in 6 different widths:

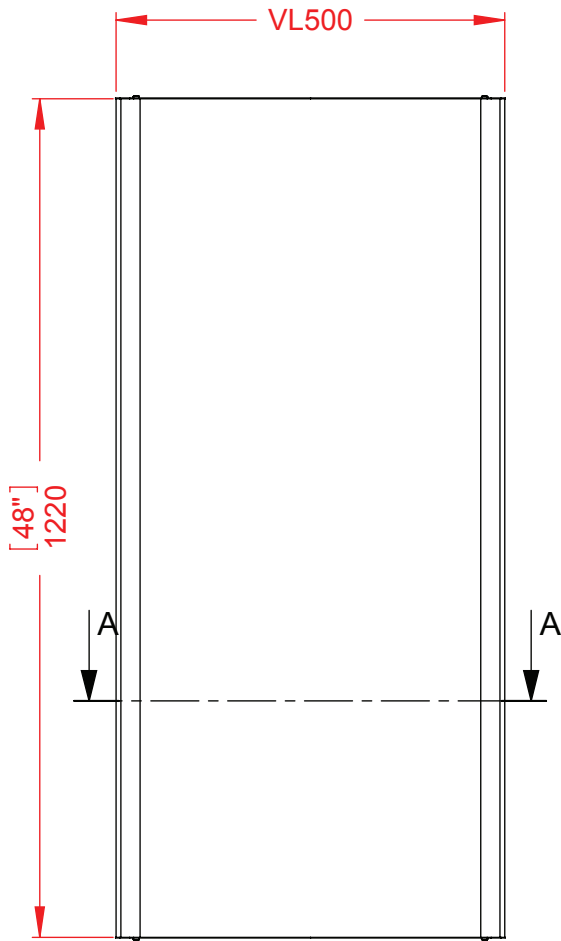
10", 12", 16", 20", 24", 28"

(VL250, VL300, VL400, VL500, VL600, VL700 (mm))

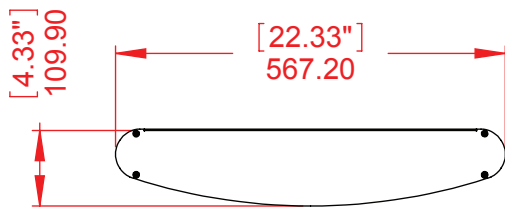
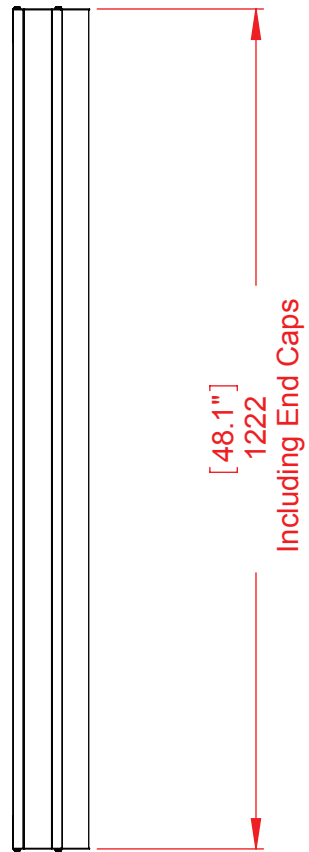
Length: 6"-31" (150 mm – 800 mm)

Custom lengths are available.

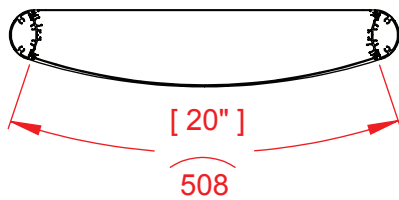
Vista Light series, Portrait / Landscape style



Front view

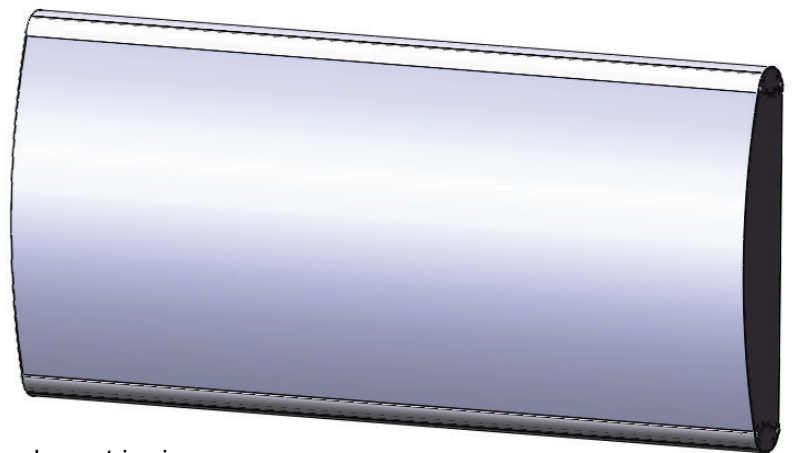


Top view



Section A-A

**Visible insert- 501mm**



Isometric view



Product Families Wall Frame Vista Light  
 Model Wall Frame VL500x1220 (Landscape)  
 Catalog P/N WFVLL13

Designer: Shlomit Madar

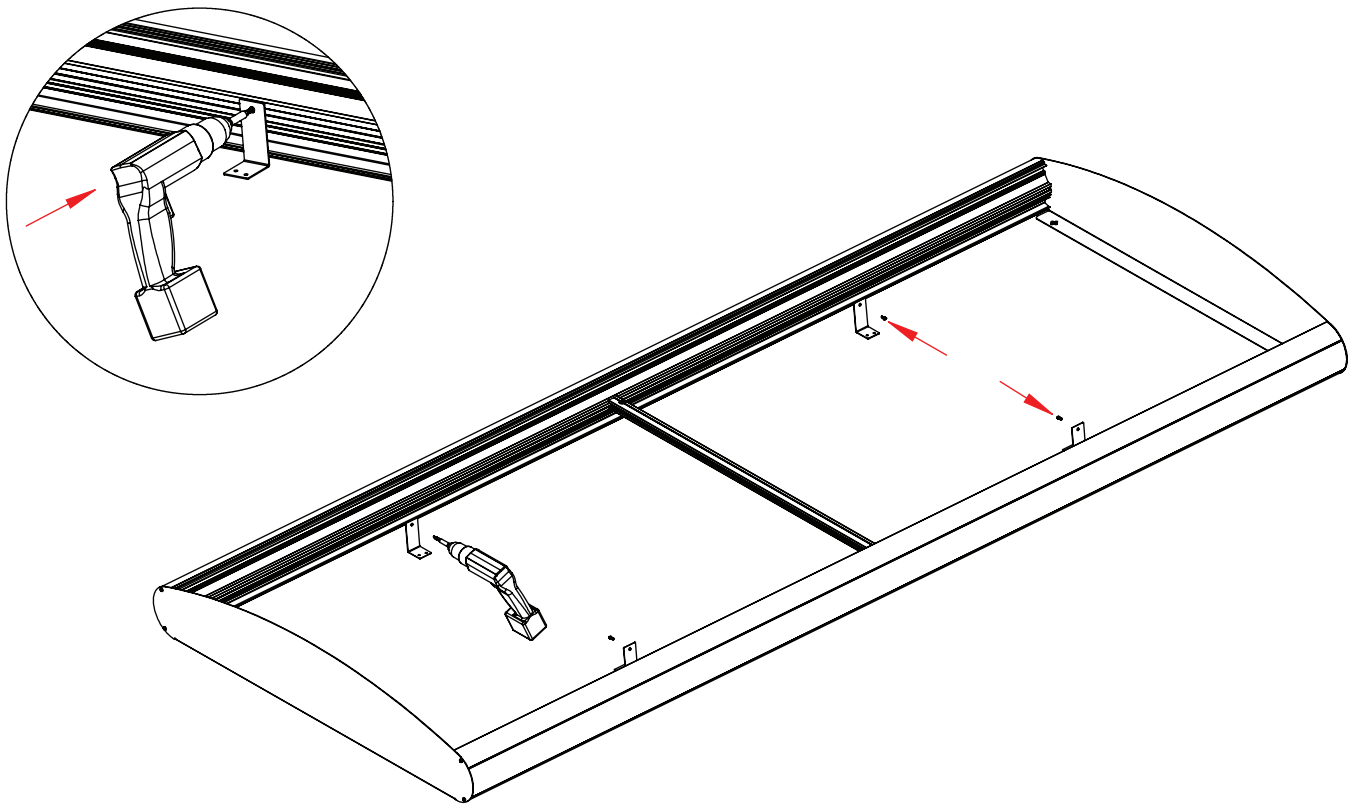
Date: 1/12/2010

Measurements in millimeters. Measurements have been rounded upwards to the near decimal point.

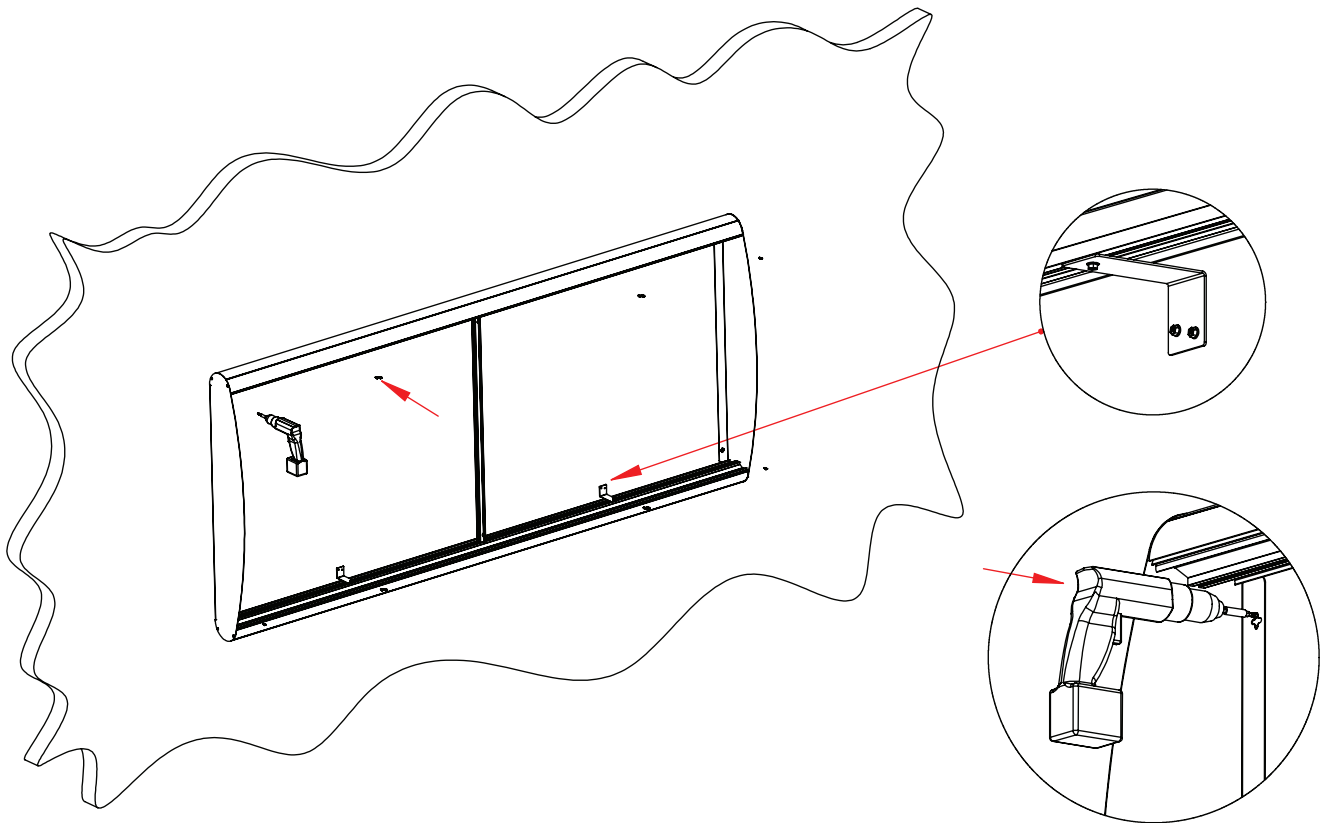
**Proprietary and confidential:** The information contained in this drawing is the sole property of Techsign advanced sign systems LTD (manufacturer of Vista system). Any reproduction; copying; distribution or any other use in part or as a whole without the written permission of Techsign is prohibited. This ban includes any use by any third party that did not receive this information from Techsign advanced sign systems LTD.

# Assembly Instructions - Vista Light series, Portrait / Landscape style

## Step A



## Step B



Project  
Model  
Part Number  
Material

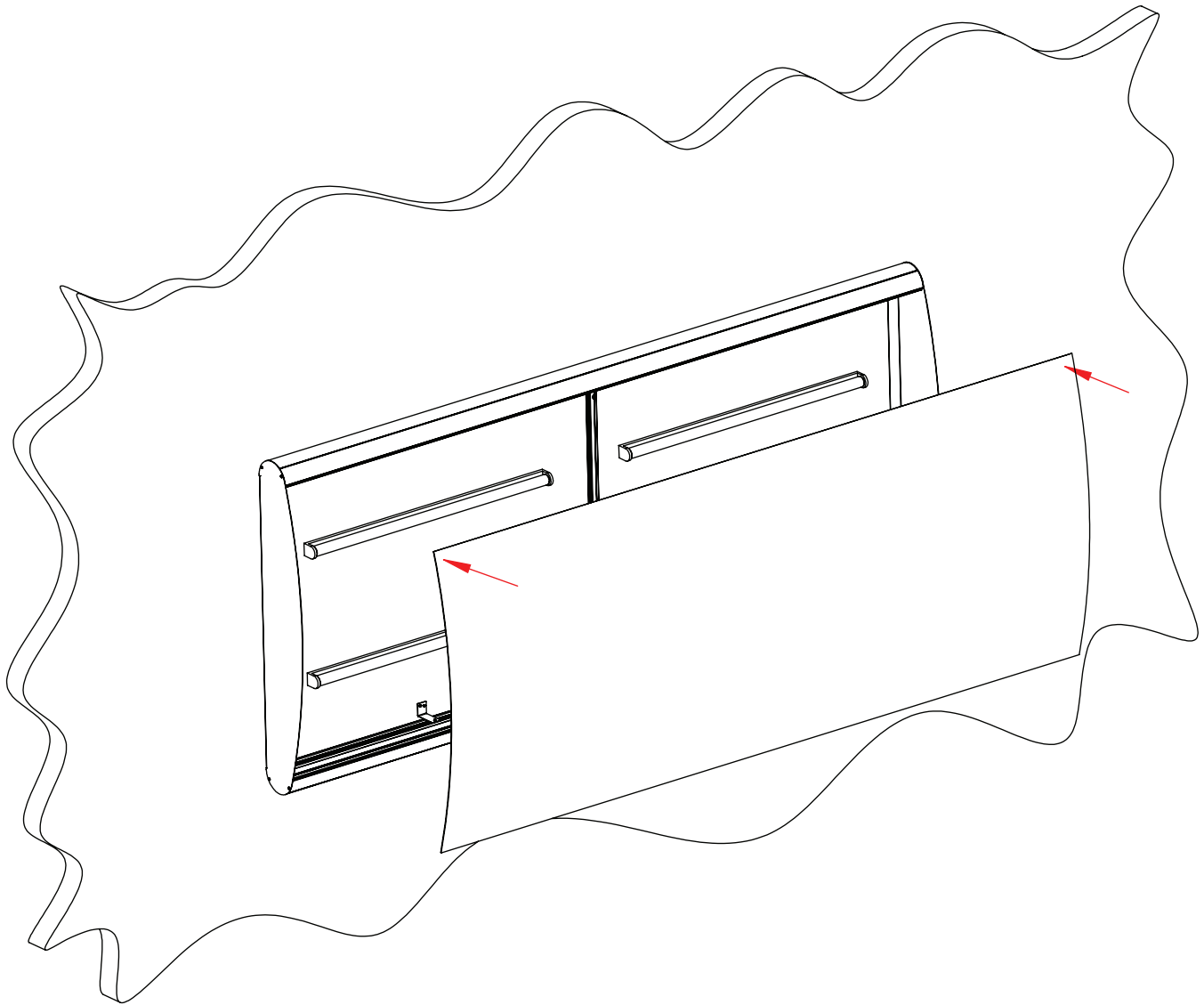
RFD # 2012- Installation instructions  
Wall Frame- VL1200x3000

Designer: S.M  
Date: 02/10/2011

Scale:  
Measurements in millimeters  
Do not scale drawing

**Proprietary and confidential:** The information contained in this drawing is the sole property of Vista system Limited.  
Any reproduction; copying; distribution or any other use in part or as a whole without the written permission of Vista system Limited is prohibited.  
This ban includes any use by any third party that did not receive this information from Vista system Limited.

Step C



Project  
Model  
Part Number  
Material

RFD # 2012- Installation instructions  
Wall Frame- VL1200x3000

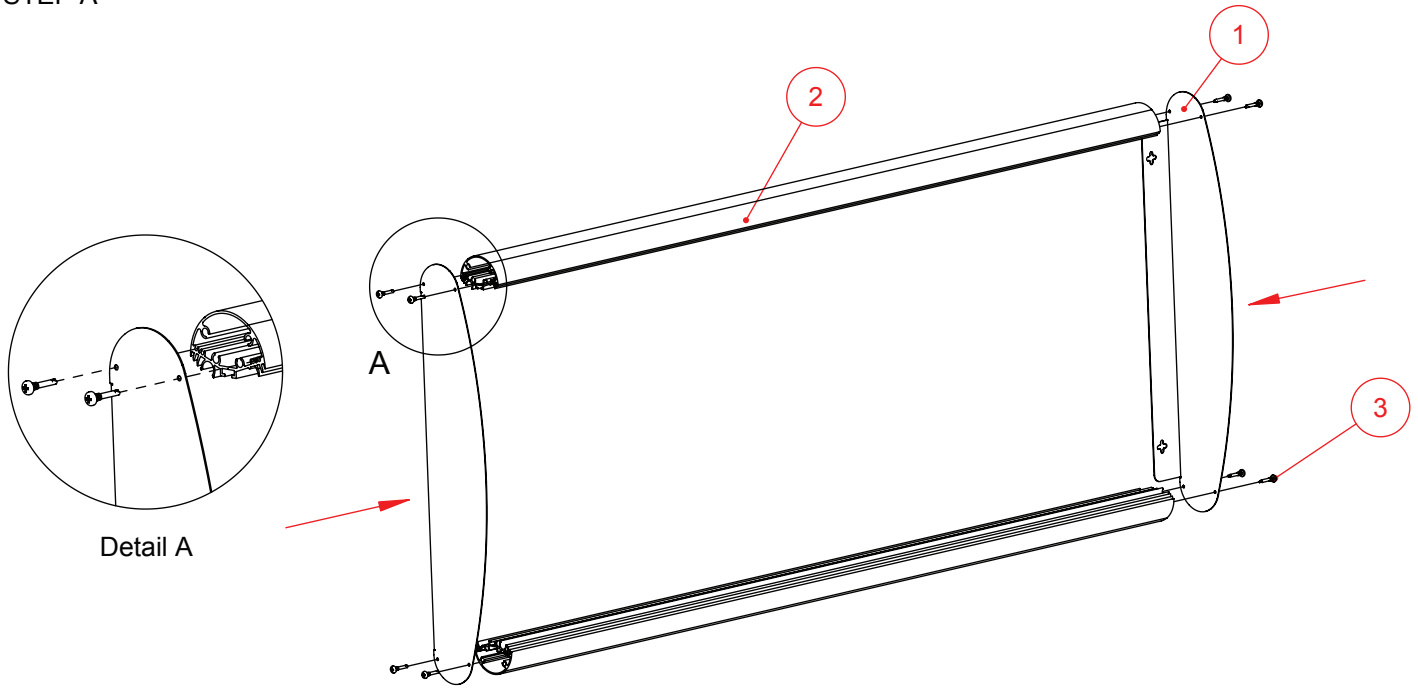
Designer: S.M  
Date: 02/10/2011

Scale:  
Measurements in millimeters  
Do not scale drawing

**Proprietary and confidential:** The information contained in this drawing is the sole property of Vista system Limited.  
Any reproduction; copying; distribution or any other use in part or as a whole without the written permission of Vista system Limited is prohibited.  
This ban includes any use by any third party that did not receive this information from Vista system Limited.

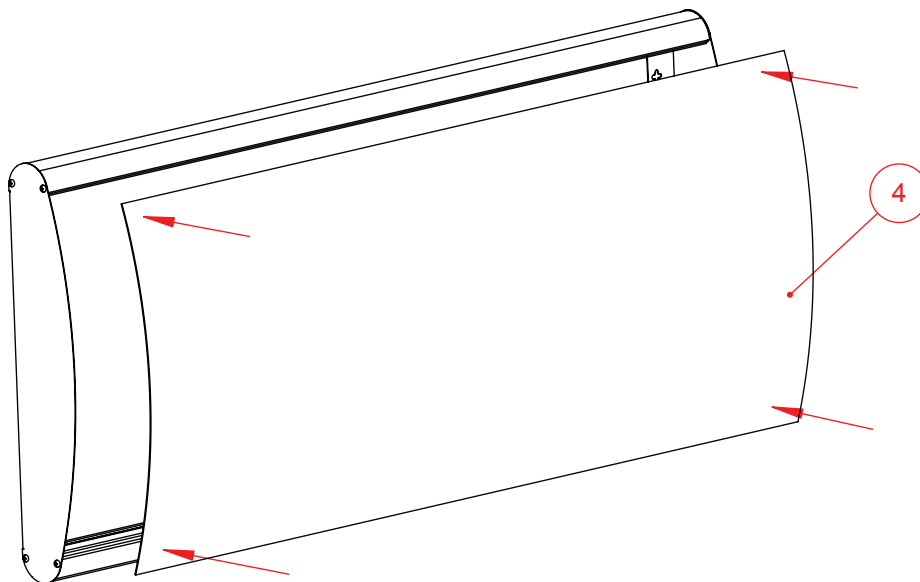
# Installation Instructions - Vista Light , Portrait / Landscape style

## STEP A



ITEM NO.	PART NUMBER	STEP A /QTY.
1	SSECVL500WM	2
2	VL1 x 1120 (48")	2
3	TS458T	8

## STEP B



ITEM NO.	PART NUMBER	STEP B /QTY.
4	CCVL500WM x 1220 (48")	1



Product Families Wall Frame Vista Light  
 Model Wall Frame VL500x1220 (Landscape)  
 Catalog P/N WFVLL13

Designer: Shlomit Madar

Date: 1/25/2010

Measurements in millimeters. Measurements have been rounded upwards to the near decimal point.

**Proprietary and confidential:** The information contained in this drawing is the sole property of Techsign advanced sign systems LTD (manufacturer of Vista system). Any reproduction; copying; distribution or any other use in part or as a whole without the written permission of Techsign is prohibited. This ban includes any use by any third party that did not receive this information from Techsign advanced sign systems LTD.