

Library Signs

Table Stand, Vista Nova series, Boomerang style



Vista Nova's Boomerang table stand includes a stylish convex frame easy to assemble any content relevant for counters, bars or tables.

The sign is designed to accept standard paper or other signage substrates.

Dimensions:

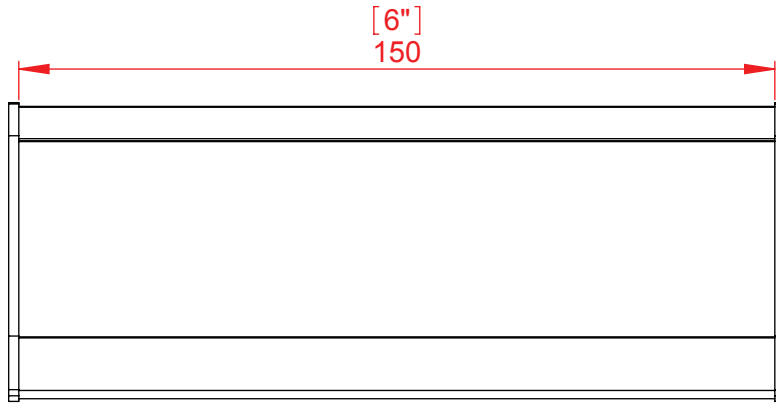
Vista Nova Boomerang sign frames are offered in 8 different widths:

2.05", 2.95", 4.14", 5.91", 8.27", 8.5", 11", 11.69"
(N70, N94, N124, N170, N-A4, N-Letter, N11, N-A3 (mm))

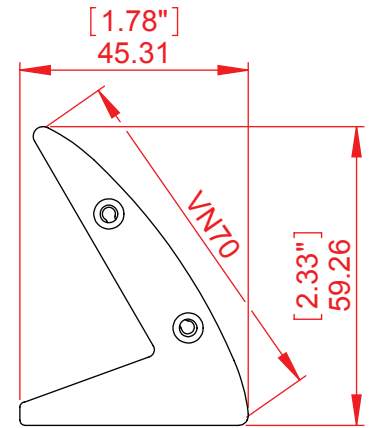
Length: 2.9"-16.5" (74 mm – 420 mm)

Custom lengths are available.

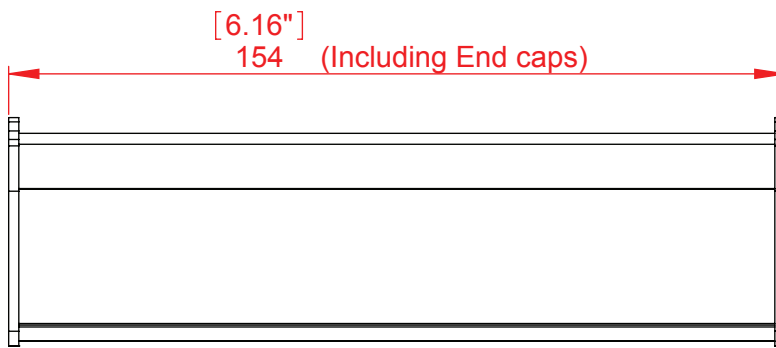
Assembly Drawing - Vista Nova series, Boomerang style



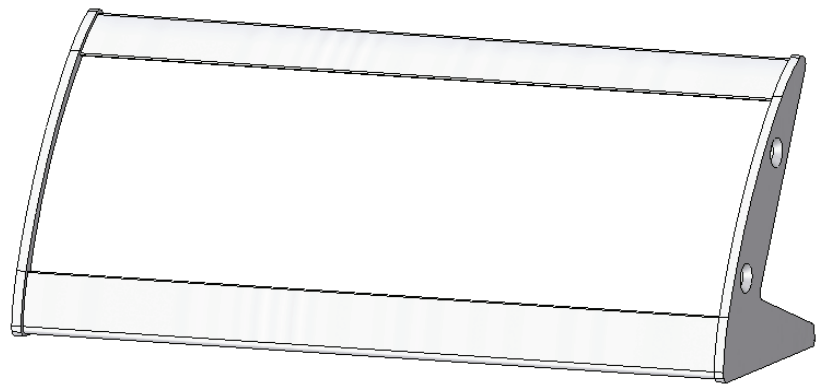
Front view



Side view



Top view



Isometric view



Product Series Vista Nova
 Model Table sign Boomerang style VN70x150
 Part Number TN22
 Drawing Number VN.28

Designer: R.C
 Date: 26/03/2017
 Scale: 1:1.5
 Measurements in millimeters
 Do not scale drawing

Proprietary and confidential: The information contained in this drawing is the sole property of Vista system Limited.
 Any reproduction; copying; distribution or any other use in part or as a whole without the written permission of Vista system Limited is prohibited.
 This ban includes any use by any third party that did not receive this information from Vista system Limited.