

Bathroom Signs

Table Stand, Vista Sharp 4-sided frame series



Vista Sharp's table stand, "Full frame" style includes a stylish aluminum extrusion cut to a 45 angle to hold any content relevant for counters, bars or tables.

The sign is designed to accept D-bond board or other rigid signage substrates.

Dimensions:

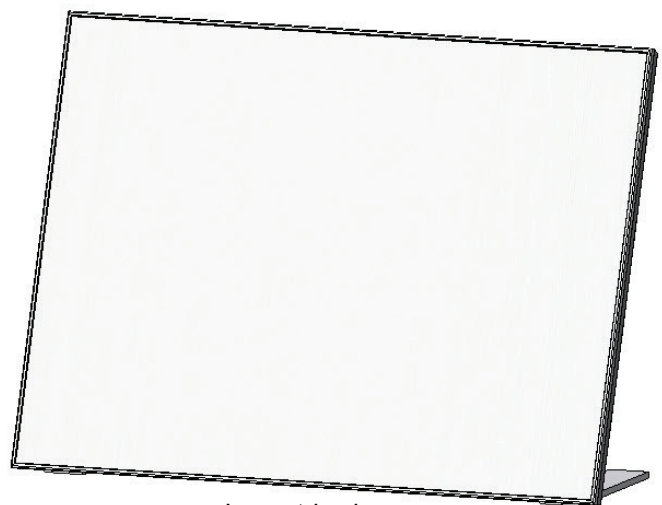
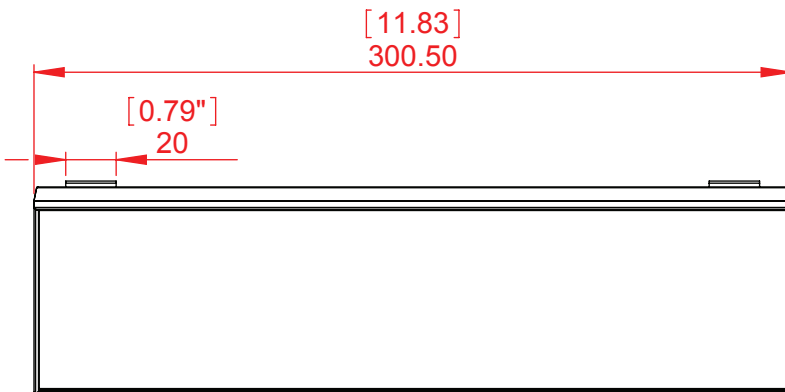
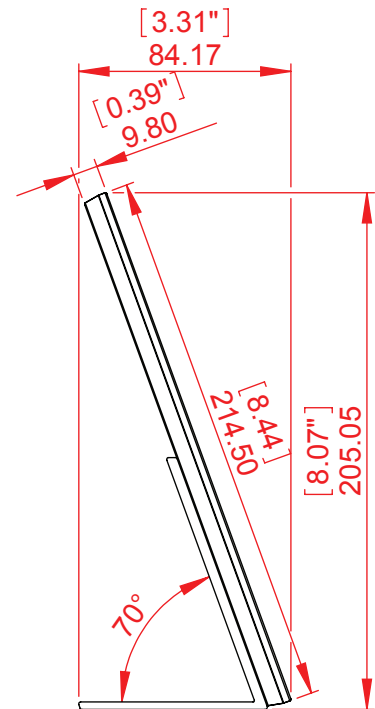
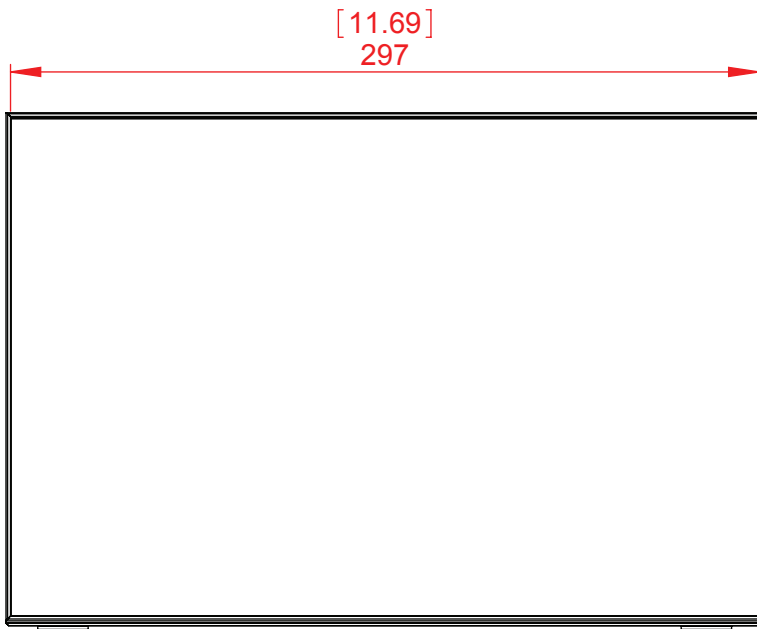
Vista Sharp table sign frames (4-sided frame) are offered in 5 different widths:

4.14", 5.83", 8.27", 8.5", 11"

(FRL-A6, FRL-A5, FRL-A4, FRL-Letter, FRL11(280) (mm))

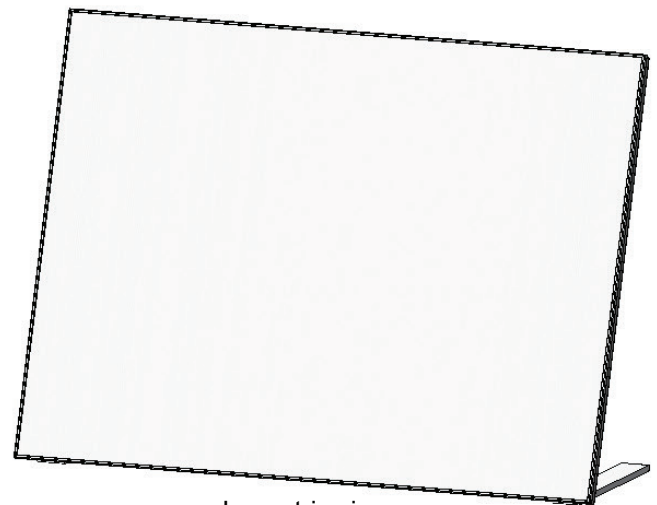
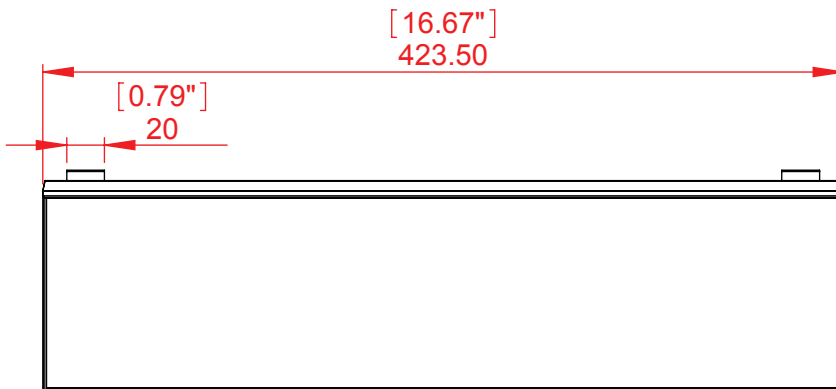
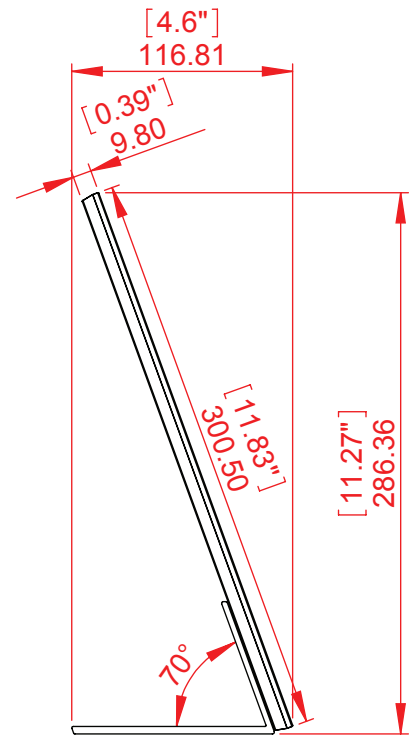
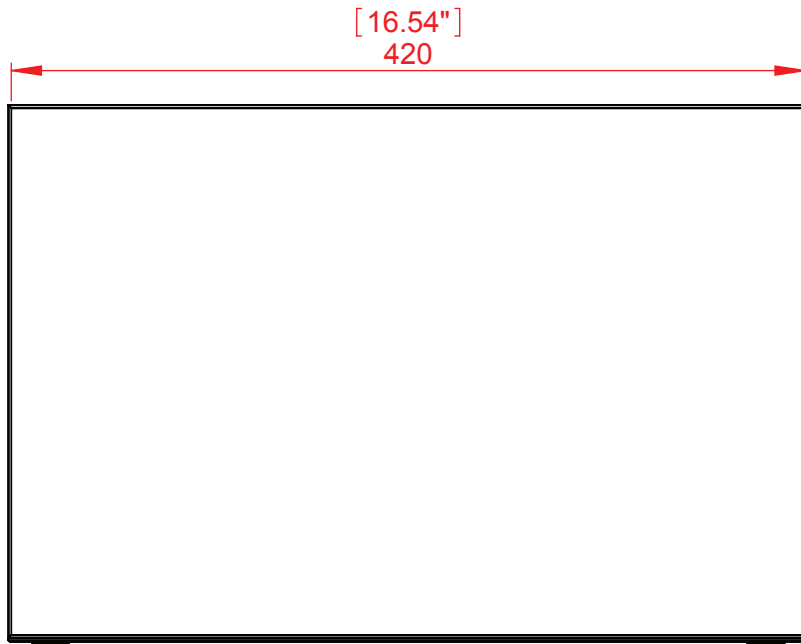
Length: 4"-17" (105 mm – 420 mm)

Custom lengths are available.



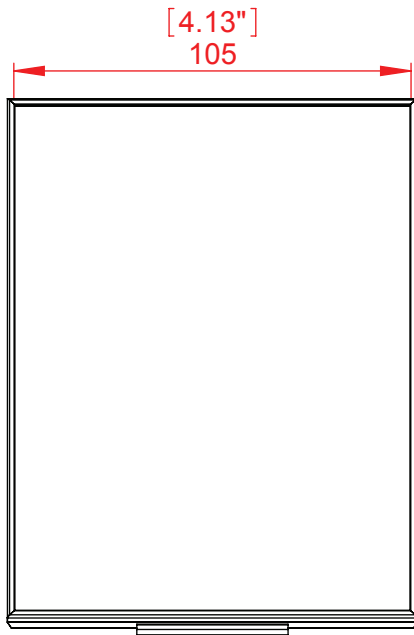
Project	Vista Sharp	Designer: R.C
Model	Table Stand FRL-A4x297 (A4) with full frame (4 Extrusions)	Date: 16/05/2018
Part Number	TS4E23	Scale:
Material		Measurements in millimeters Do not scale drawing

Proprietary and confidential: The information contained in this drawing is the sole property of Vista system Limited. Any reproduction; copying; distribution or any other use in part or as a whole without the written permission of Vista system Limited is prohibited. This ban includes any use by any third party that did not receive this information from Vista system Limited.

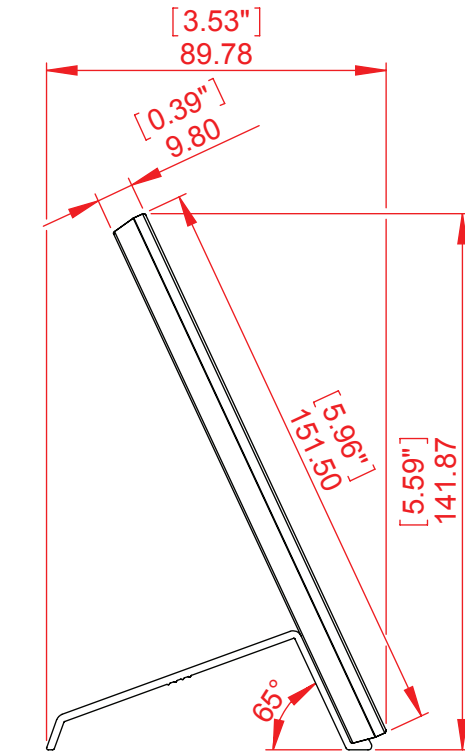


Project	Sharp system	Designer: R.C
Model	Table Stand FRL-A3x420 (A3) with full frame (4 Extrusions)	Date: 30/05/2018
Part Number	TS4E54	Scale:
Material		Measurements in millimeters Do not scale drawing

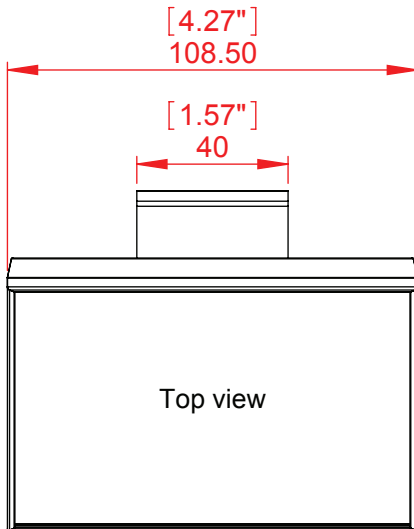
Proprietary and confidential: The information contained in this drawing is the sole property of Vista system Limited. Any reproduction; copying; distribution or any other use in part or as a whole without the written permission of Vista system Limited is prohibited. This ban includes any use by any third party that did not receive this information from Vista system Limited.



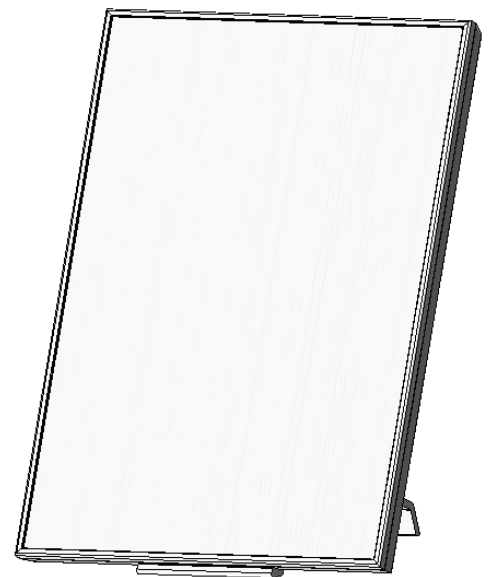
Front view



Side view



Top view

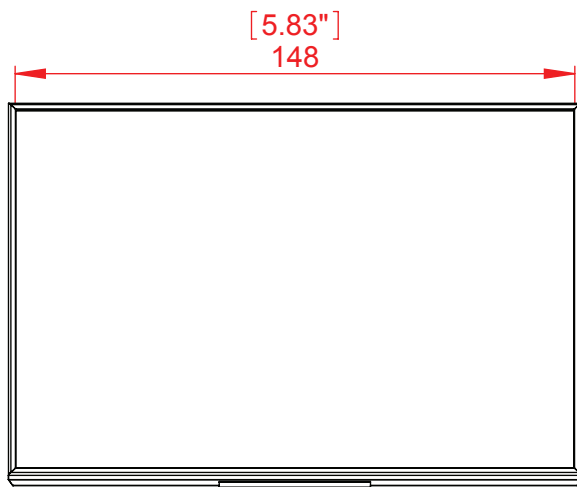


Isometric view

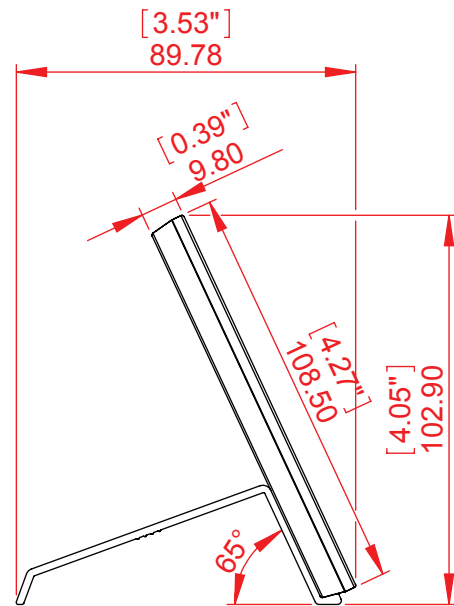


Project	Sharp system	Designer: R.C
Model	Table Stand FRL-A5x105 (A6) with full frame (4 Extrusions)	Date: 16/05/2018
Part Number	TS4E10	Scale:
Material		Measurements in millimeters Do not scale drawing

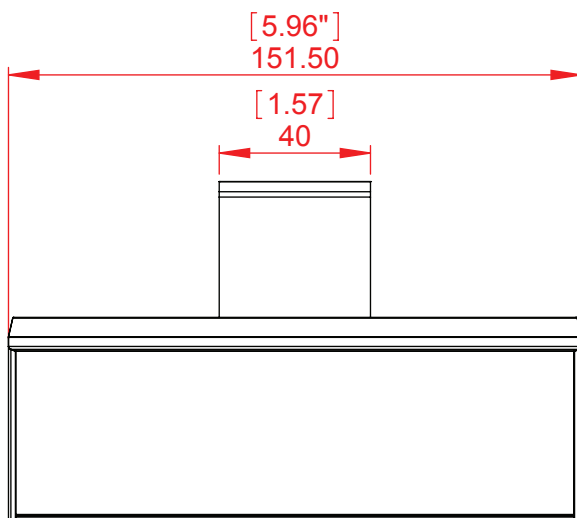
Proprietary and confidential: The information contained in this drawing is the sole property of Vista system Limited. Any reproduction; copying; distribution or any other use in part or as a whole without the written permission of Vista system Limited is prohibited. This ban includes any use by any third party that did not receive this information from Vista system Limited.



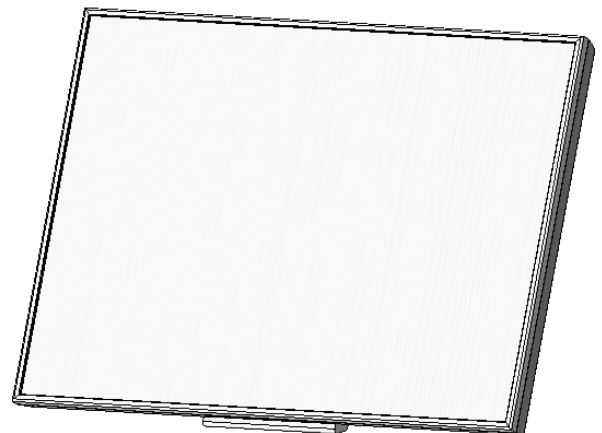
Front view



Side view



Top view



Isometric view



Project	Sharp system	Designer: R.C
Model	Table Stand FRL-A6x148 (A6)with full frame (4 Extrusions)	Date: 16/05/2018
Part Number	TS4E2	Scale:
Material		Measurements in millimeters Do not scale drawing

Proprietary and confidential: The information contained in this drawing is the sole property of Vista system Limited. Any reproduction; copying; distribution or any other use in part or as a whole without the written permission of Vista system Limited is prohibited. This ban includes any use by any third party that did not receive this information from Vista system Limited.