

Protruding signs

Vista Sharp series



Vista Sharp's flag sign includes a stylish aluminum extrusion with a frameless design to create an elegant double sided way-finding element. The smart design allows for easy installation and removal of the sign for painting or other maintenance.

Dimensions:

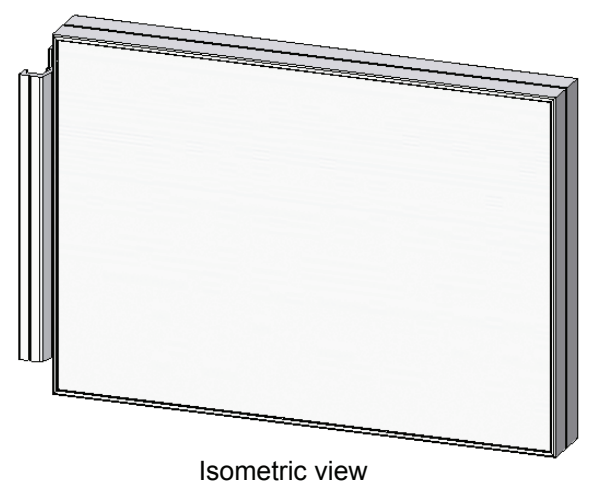
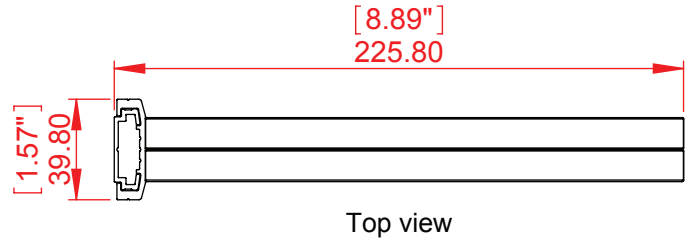
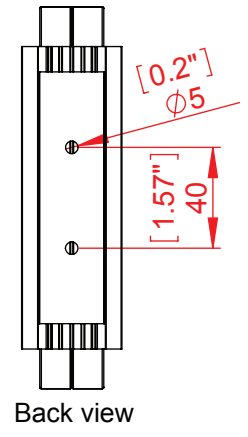
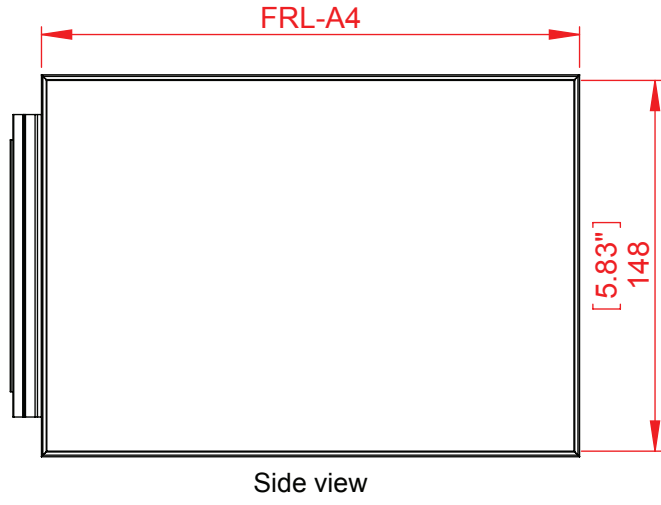
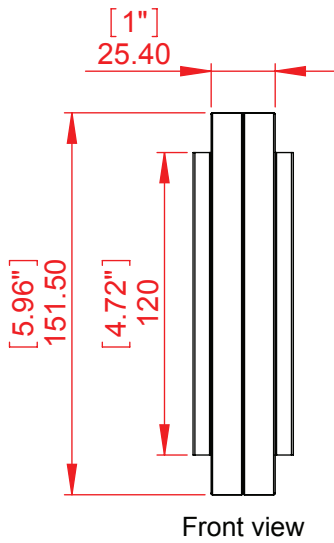
Vista Sharp projecting sign frames are offered in 6 different widths:

4.14", 5.83", 8.27", 8.5", 11", 11.69"

(FRL-A6, FRL-A5, FRL-A4, FRL-Letter, FRL11, FRL-A3 (mm))

Length: 5"-16.5" (125 mm – 420 mm)

Custom lengths are available.



Project	Vista sharp	Designer: R.C
Model	Flag sign 4 sided extrusion FRL-A4x148 (A5) (with Xbond)	Date: 07/01/2018
Part Number	FSS4E1	Scale:
Material		Measurements in millimeters Do not scale drawing

Proprietary and confidential: The information contained in this drawing is the sole property of Vista system Limited. Any reproduction; copying; distribution or any other use in part or as a whole without the written permission of Vista system Limited is prohibited. This ban includes any use by any third party that did not receive this information from Vista system Limited.