

Reception Signs

Table Stands, Vista Square series, Portrait / Landscape style



Vista Square's table stands include a stylish flat design frame that comes in dozens of sizes to be used for holding any content relevant for counters, bars or tables. The signs are designed to accept standard paper or other signage substrates.

Dimensions:

Vista Square sign frames are offered in 9 different widths:

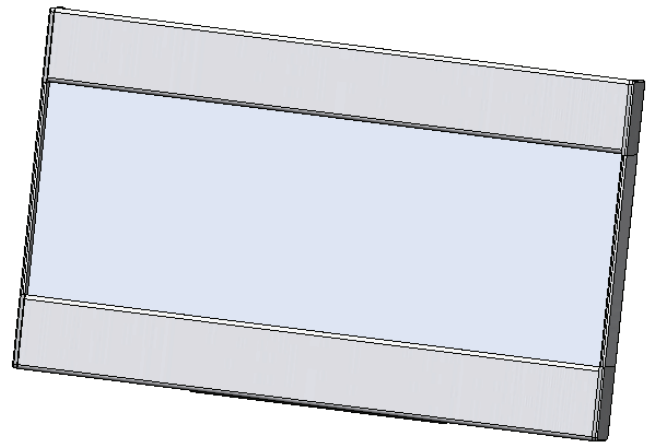
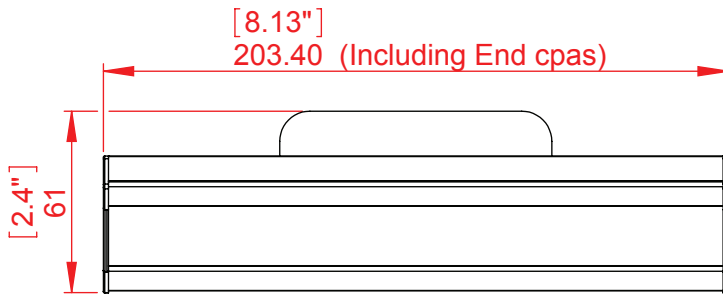
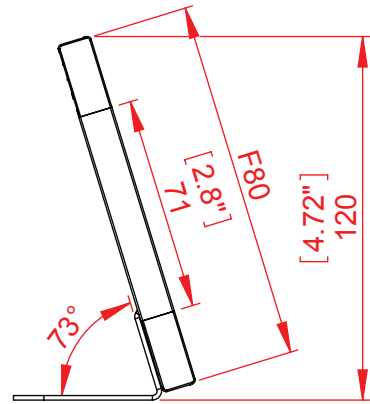
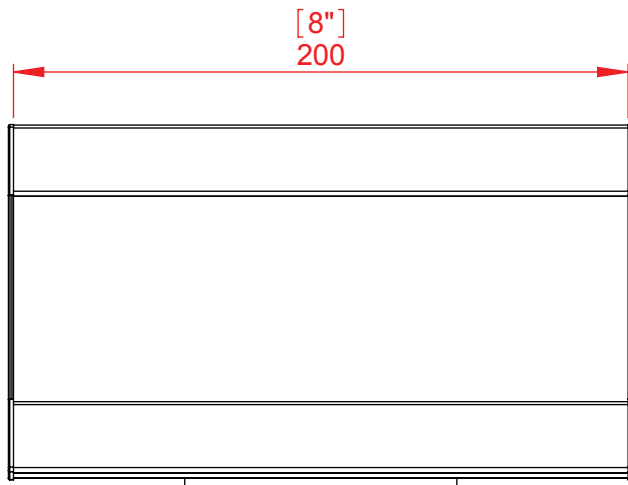
3.07", 3.86", 4.64", 5.83", 7.8", 8.27", 8.5", 11", 11.69"

(F80, F100, F120, F150, F200, F-A4, F-Letter, F11, F300 (mm))

Length: 4"-17" (100 mm – 420 mm)

Custom lengths are available.

Assembly Drawing - Vista Square series, Landscape style



Isometric view



Project
Model Table sign -Landscape- F80x8"
Part Number TF26 / TF26U
Material

Designer: R.C
Date: 28/06/2015

Scale:
Measurements in millimeters
Do not scale drawing

Proprietary and confidential: The information contained in this drawing is the sole property of Vista system Limited.
Any reproduction; copying; distribution or any other use in part or as a whole without the written permission of Vista system Limited is prohibited.
This ban includes any use by any third party that did not receive this information from Vista system Limited.