



Library Signs

Pylon, Vista series, Triangular style



Vista's convex triangular sign towers use the standard Vista extrusions joined with a series of matching end caps and bases. This type of sign allows for the use of standard signage substrates that can be updated quickly and easily.

Dimensions:

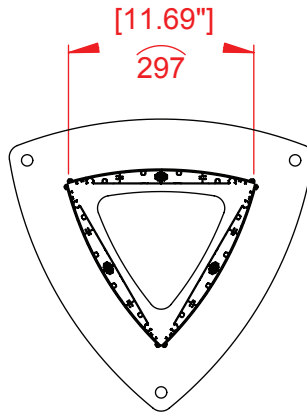
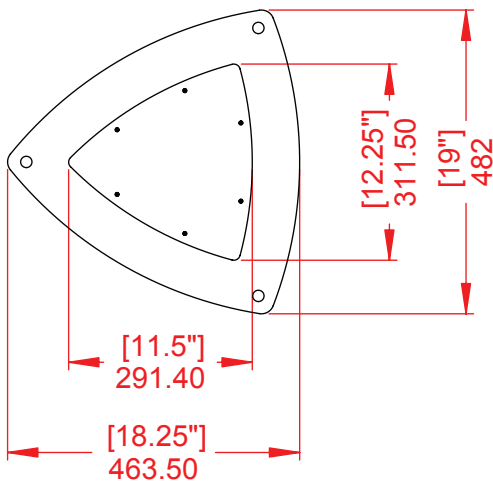
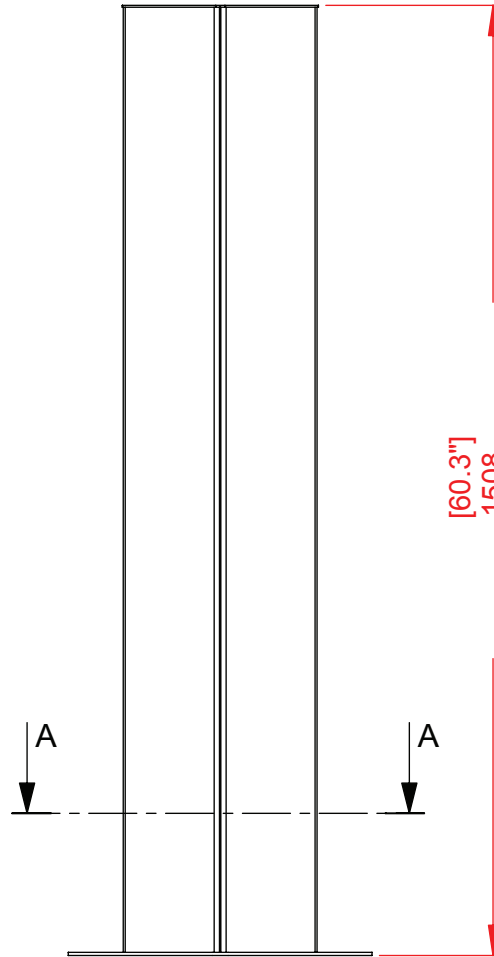
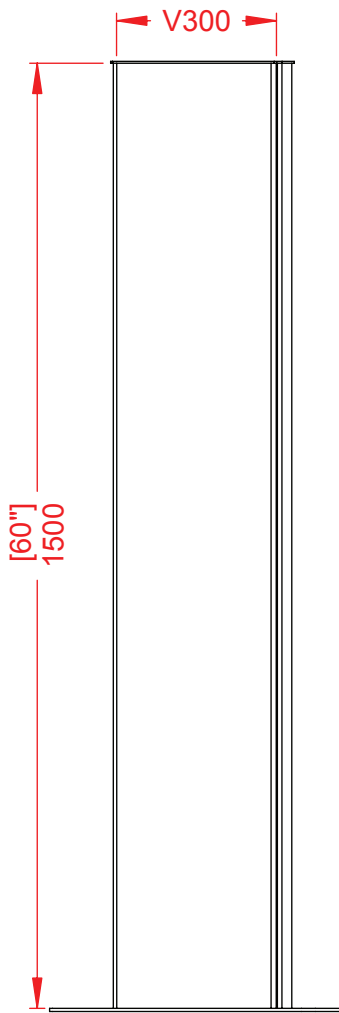
Vista triangular pylons frames are offered in 14 different widths:

8.27", 8.5", 11.69", 14", 15.59", 16.54", 19.59", 23.43", 27.56", 31.5", 35.43", 39.37", 43.3", 47.24"

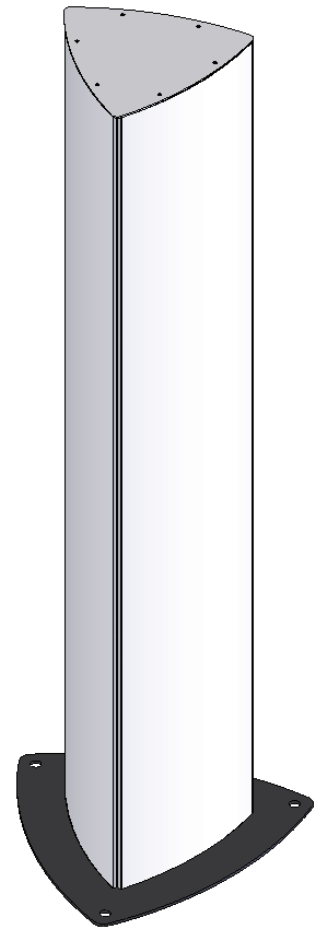
(VA4, V-Letter, V300, V14, V400, V420, V500, V600, V700, V800, V900, V1000, V1100, V1200 (mm))

Length: 45"-135" (1150 mm – 3500 mm)

Custom lengths are available.

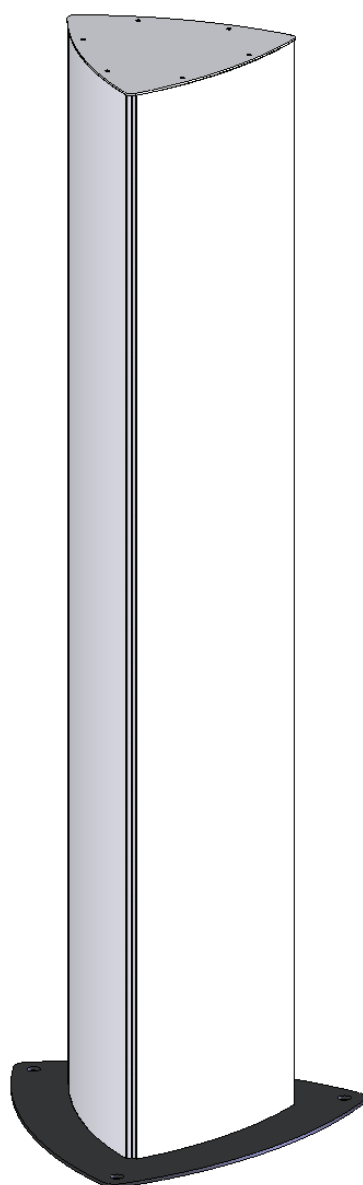


Visible insert- 285mm



Product Families	Triangular pylon	Designer:	Alon R.
Model	Triangular pylon	Date:	1/21/2010
Catalog P/N	TR11	Measurements in millimeters. Measurements have been rounded upwards to the near decimal point.	

Proprietary and confidential: The information contained in this drawing is the sole property of Techsign advanced sign systems LTD (manufacturer of Vista system). Any reproduction; copying; distribution or any other use in part or as a whole without the written permission of Techsign is prohibited. This ban includes any use by any third party that did not receive this information from Techsign advanced sign systems LTD.



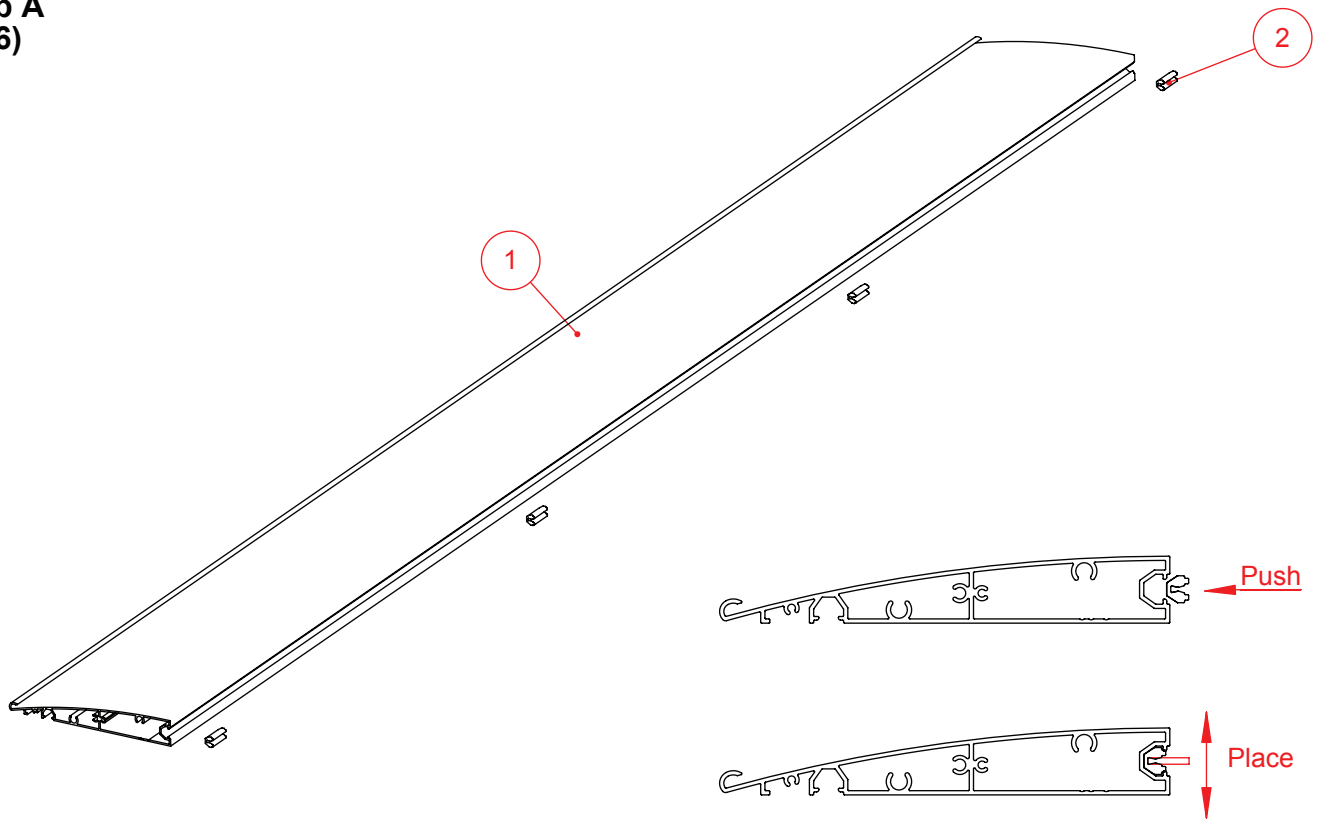
Triangular pylon

TR11

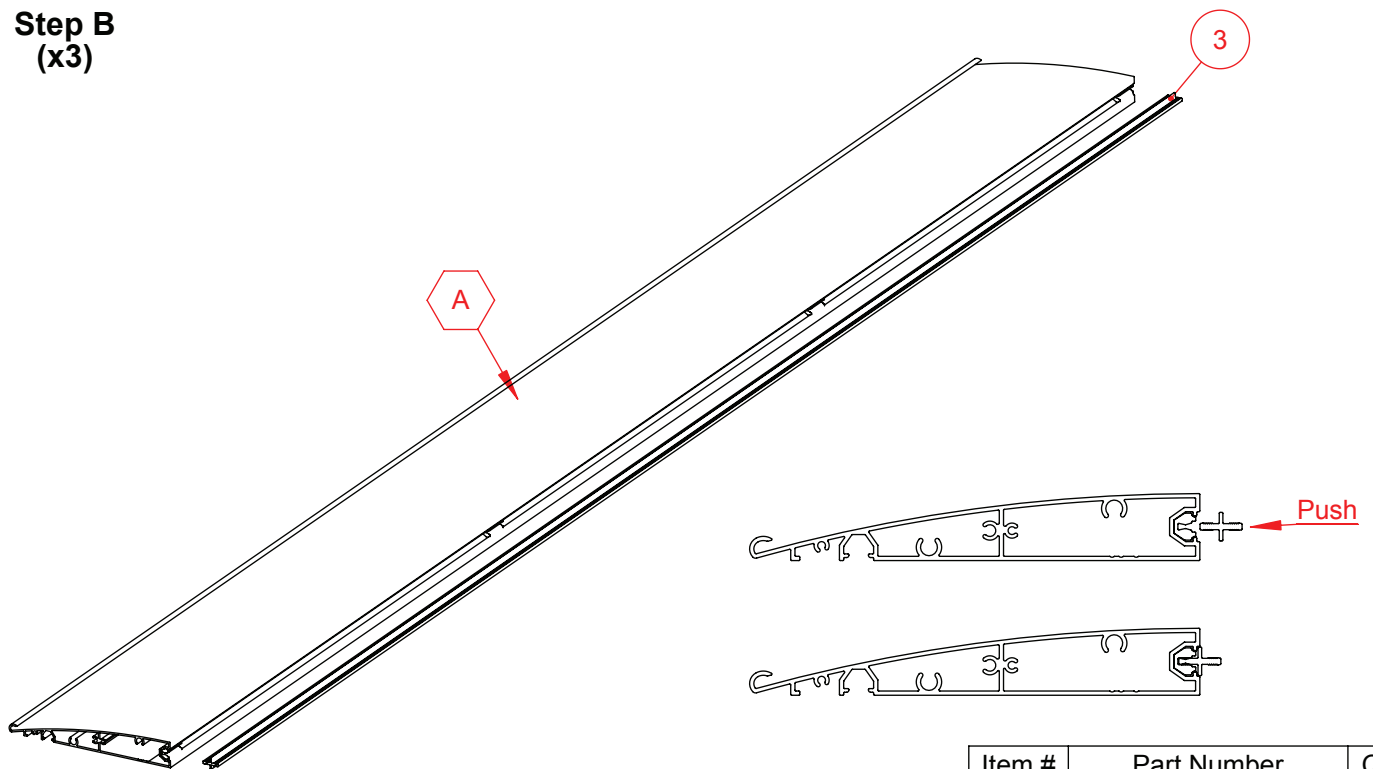
ASSEMBLY INSTRUCTIONS



**Step A
(x6)**



**Step B
(x3)**



Item #	Part Number	Qty.
1	V300 x 1500 (60")	1
2	CWE	4
3	TT x 1500 (60")	1
A	Step A	1



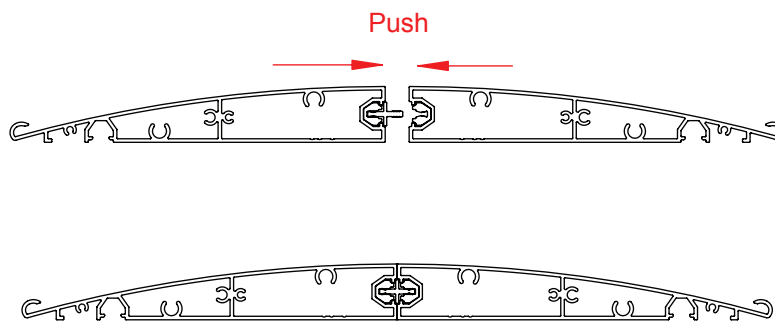
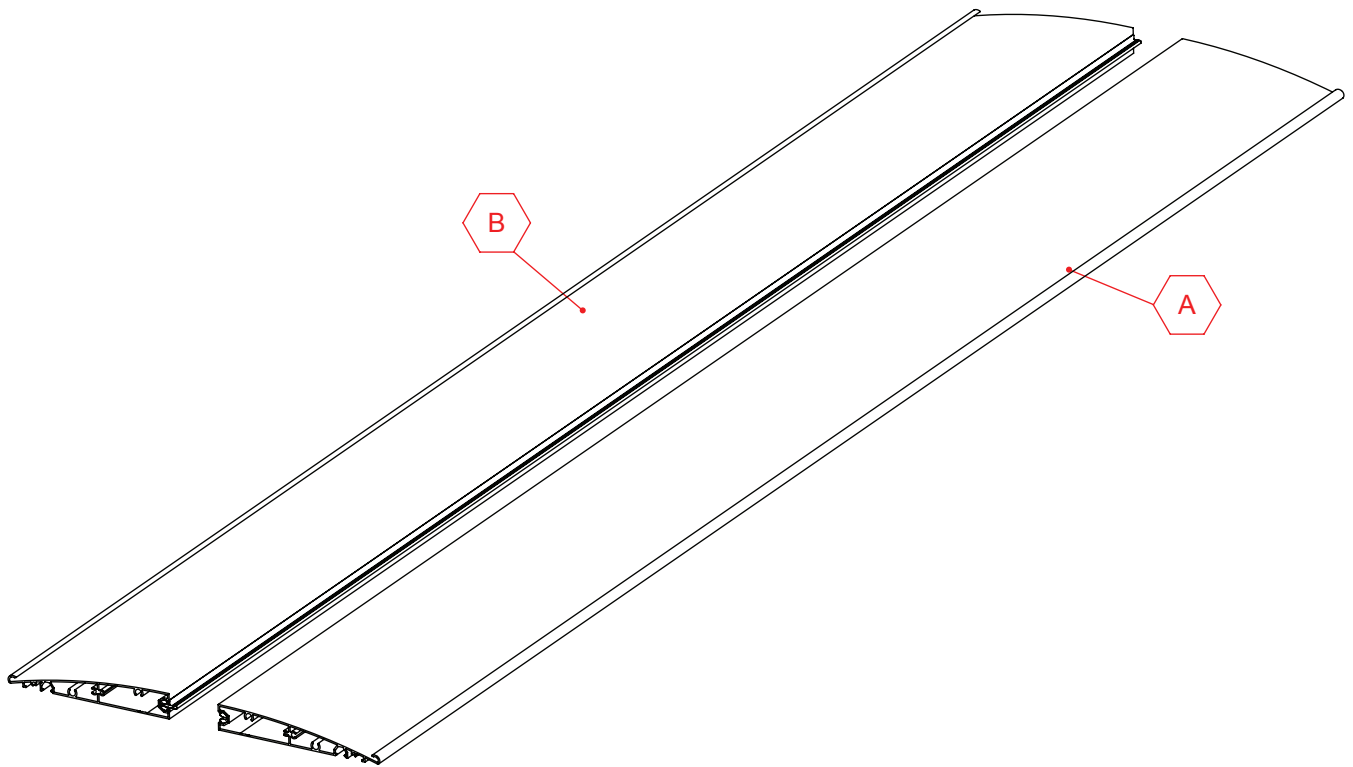
Product Families	Triangular pylon
Model	Triangular pylon
Catalog P/N	TR11

Designer: Alon R.
Date: 1/21/2010

Measurements in millimeters. Measurements have been rounded upwards to the near decimal point.

Proprietary and confidential: The information contained in this drawing is the sole property of Techsign advanced sign systems LTD (manufacturer of Vista system). Any reproduction; copying; distribution or any other use in part or as a whole without the written permission of Techsign is prohibited. This ban includes any use by any third party that did not receive this information from Techsign advanced sign systems LTD.

**Step C
(x3)**

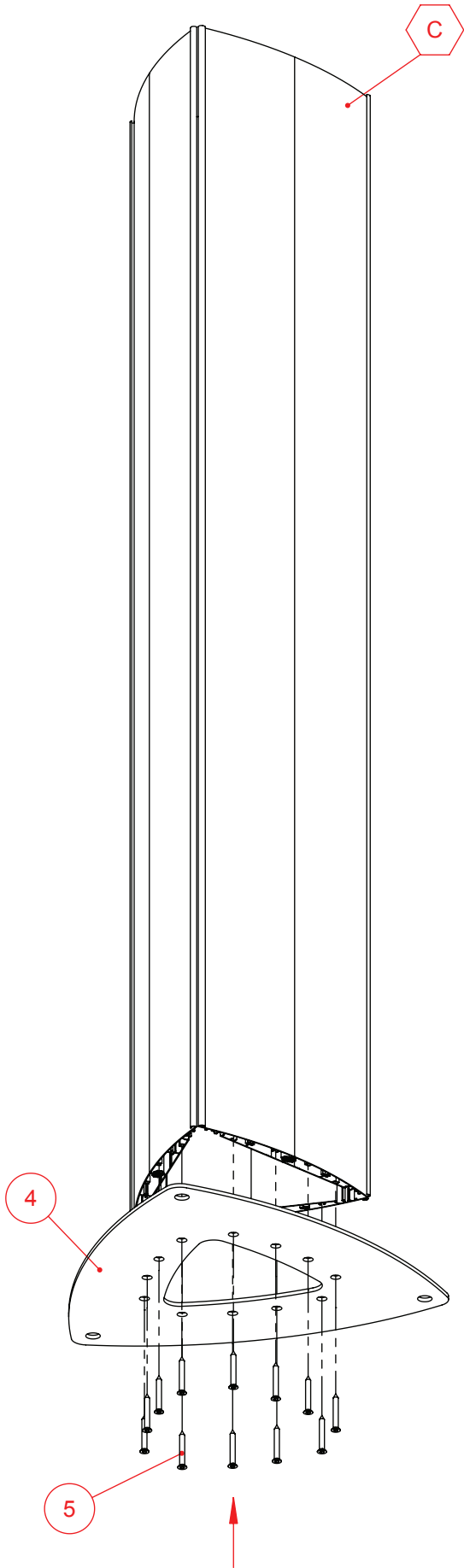


Item #	Part Number	Qty.
A	Step A	1
B	Step B	1

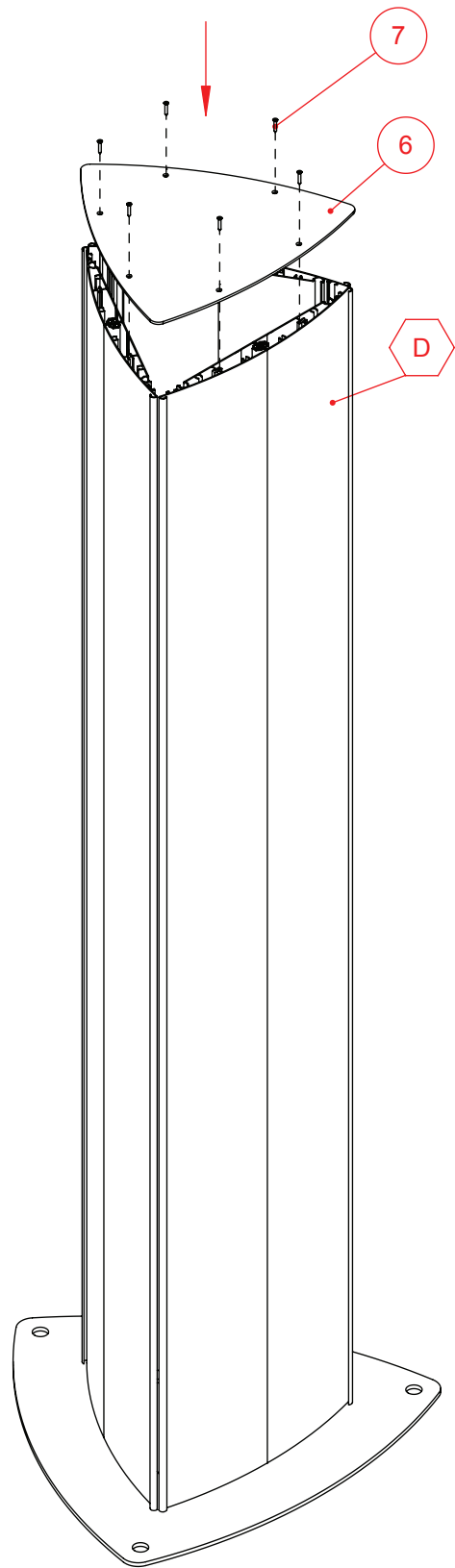


Product Families	Triangular pylon	Designer:	Alon R.
Model	Triangular pylon	Date:	1/21/2010
Catalog P/N	TR11	<small>Measurements in millimeters. Measurements have been rounded upwards to the near decimal point.</small>	
<small>Proprietary and confidential: The information contained in this drawing is the sole property of Techsign advanced sign systems LTD (manufacturer of Vista system). Any reproduction; copying; distribution or any other use in part or as a whole without the written permission of Techsign is prohibited. This ban includes any use by any third party that did not receive this information from Techsign advanced sign systems LTD.</small>			

Step D



Step E



Item #	Part Number	Qty.
C	Step C	1
4	BTR300	1
5	TS142	12
D	Step D	1
6	TREC300	1
7	TS458	6



Product Families Triangular pylon
 Model Triangular pylon
 Catalog P/N TR11

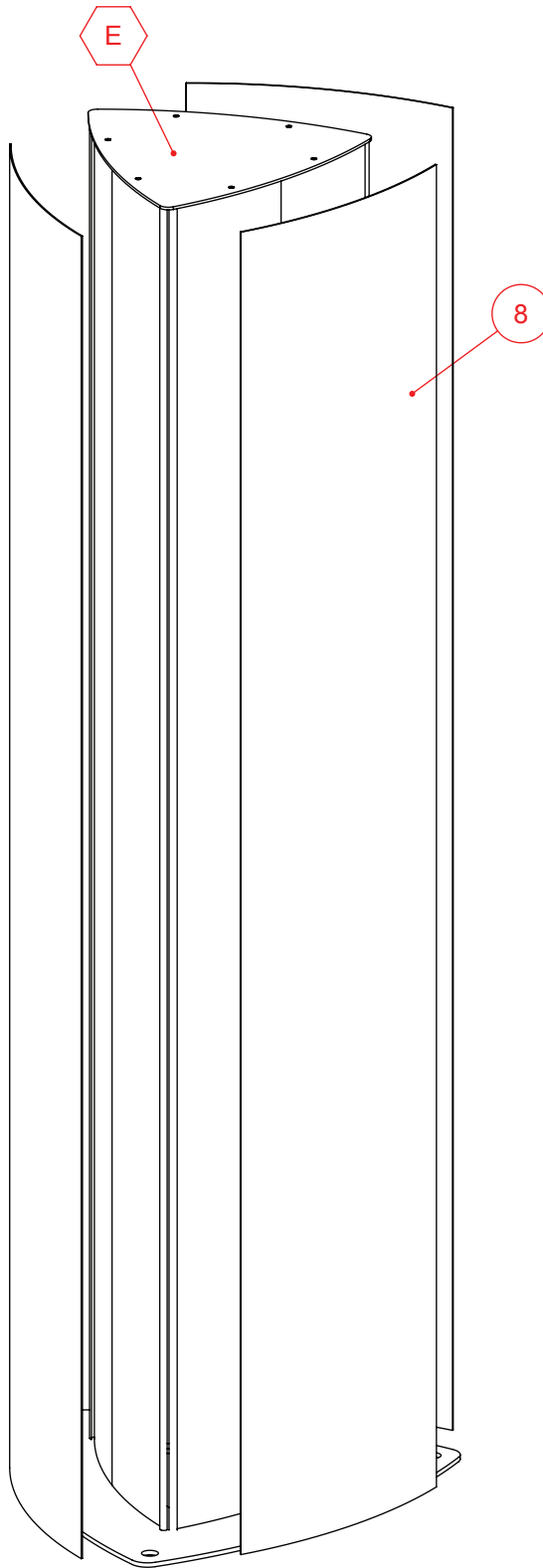
Designer: Alon R.

Date: 1/21/2010

Measurements in millimeters. Measurements have been rounded upwards to the near decimal point.

Proprietary and confidential: The information contained in this drawing is the sole property of Techsign advanced sign systems LTD (manufacturer of Vista system). Any reproduction; copying; distribution or any other use in part or as a whole without the written permission of Techsign is prohibited. This ban includes any use by any third party that did not receive this information from Techsign advanced sign systems LTD.

Step F



Item #	Part Number	Qty.
E	Step E	1
8	CC300 x 1500 (60")	3



Product Families	Triangular pylon	Designer:	Alon R.
Model	Triangular pylon	Date:	1/21/2010
Catalog P/N	TR11	Measurements in millimeters. Measurements have been rounded upwards to the near decimal point.	

Proprietary and confidential: The information contained in this drawing is the sole property of Techsign advanced sign systems LTD (manufacturer of Vista system). Any reproduction; copying; distribution or any other use in part or as a whole without the written permission of Techsign is prohibited. This ban includes any use by any third party that did not receive this information from Techsign advanced sign systems LTD.