

Light Box

Suspended Sign, Vista Double Sided Light box series, Portrait / Landscape style



Vista's Double Sided Light boxes Suspended sign are composed of an aluminum frame and a 2 pane of frosted substrate. The signs includes a stylish Standard finishes for VL profiles in silver or black anodize.

The frame opens on 2 sides, allowing the graphic substrate to slide into specially designed channels.

The unique design of Vista's light boxes is the perfect solution for advertizing, point of purchase, shopping malls, parking garages, etc..

Dimensions:

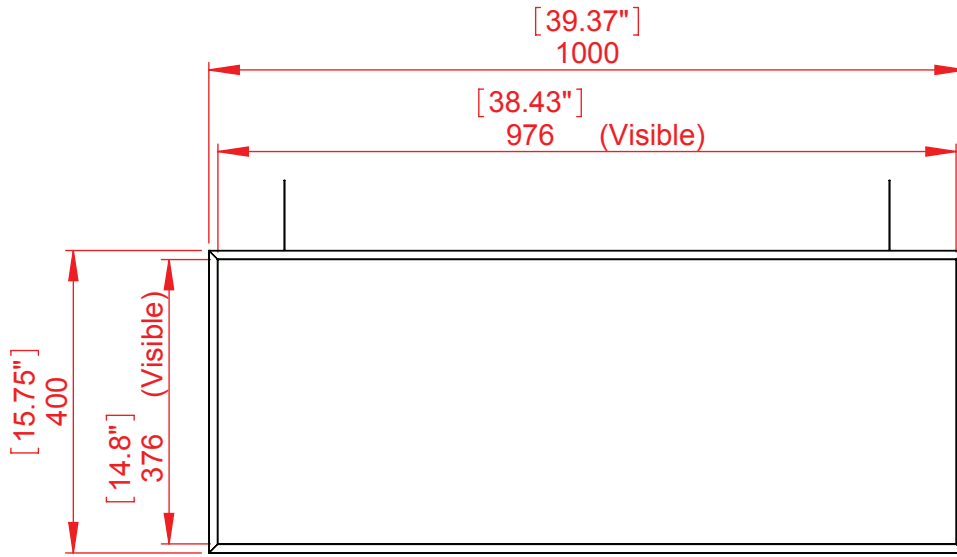
Vista sign frames are offered in 5 different widths:

30.55", 38.4", 46.3", 69.92", 77.8"

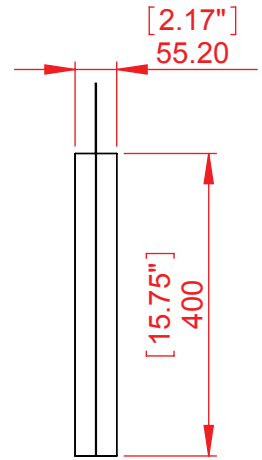
(SUS-FLB776, SUS-FLB976, SUS-FLB1176, SUS-FLB1776, SUS-FLB1976)

Length: 10.8"-14.8" (276 mm – 376 mm)

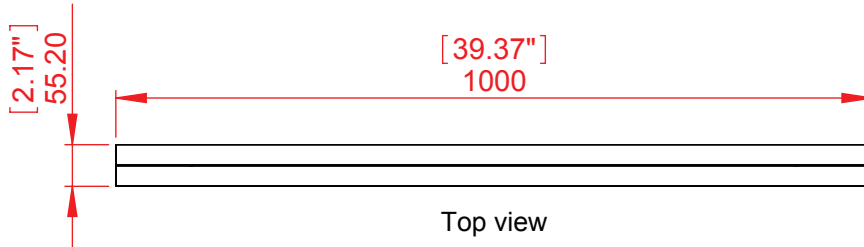
Custom lengths are available.



Front view



Side view



Top view



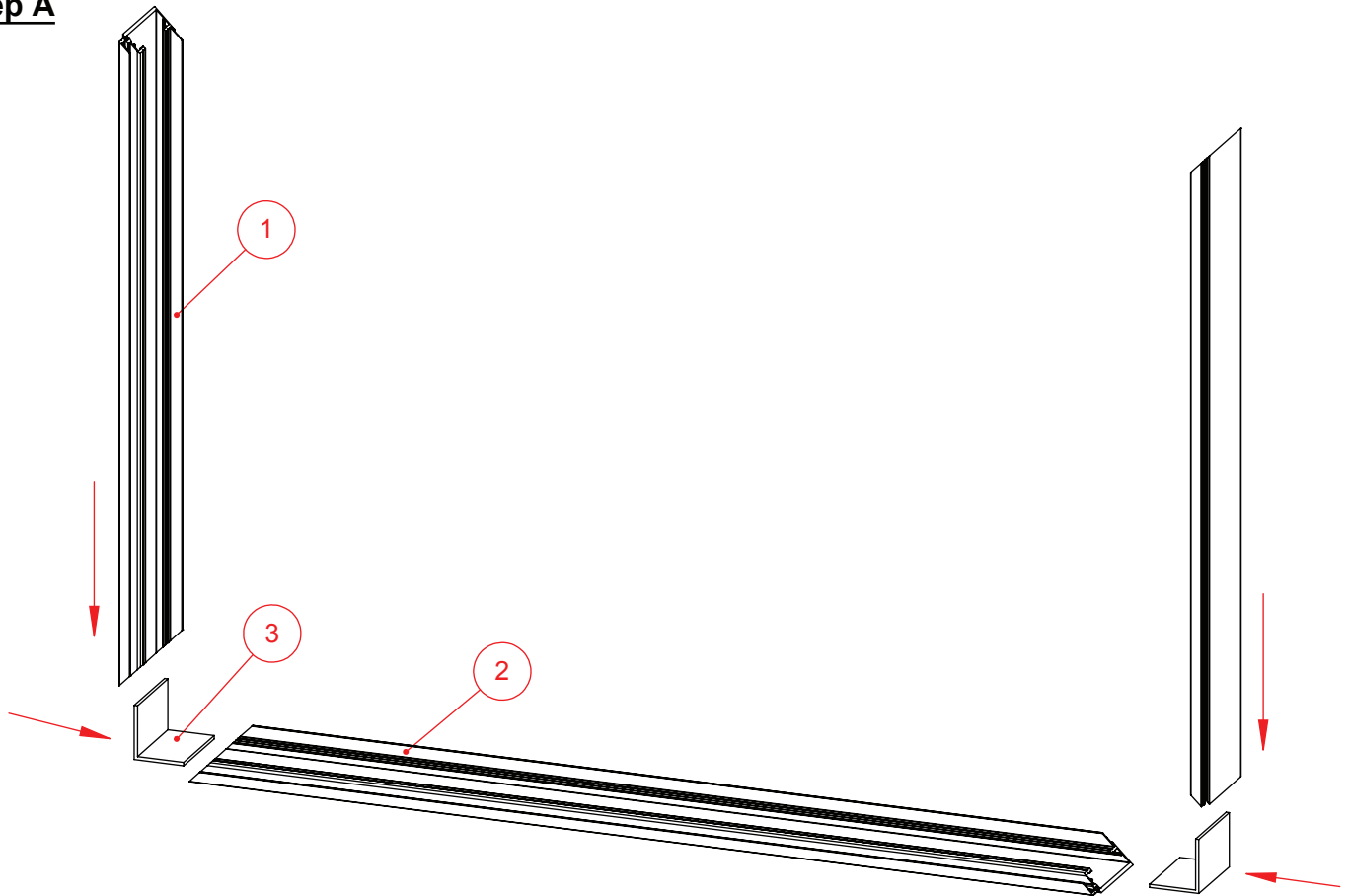
Isometric view



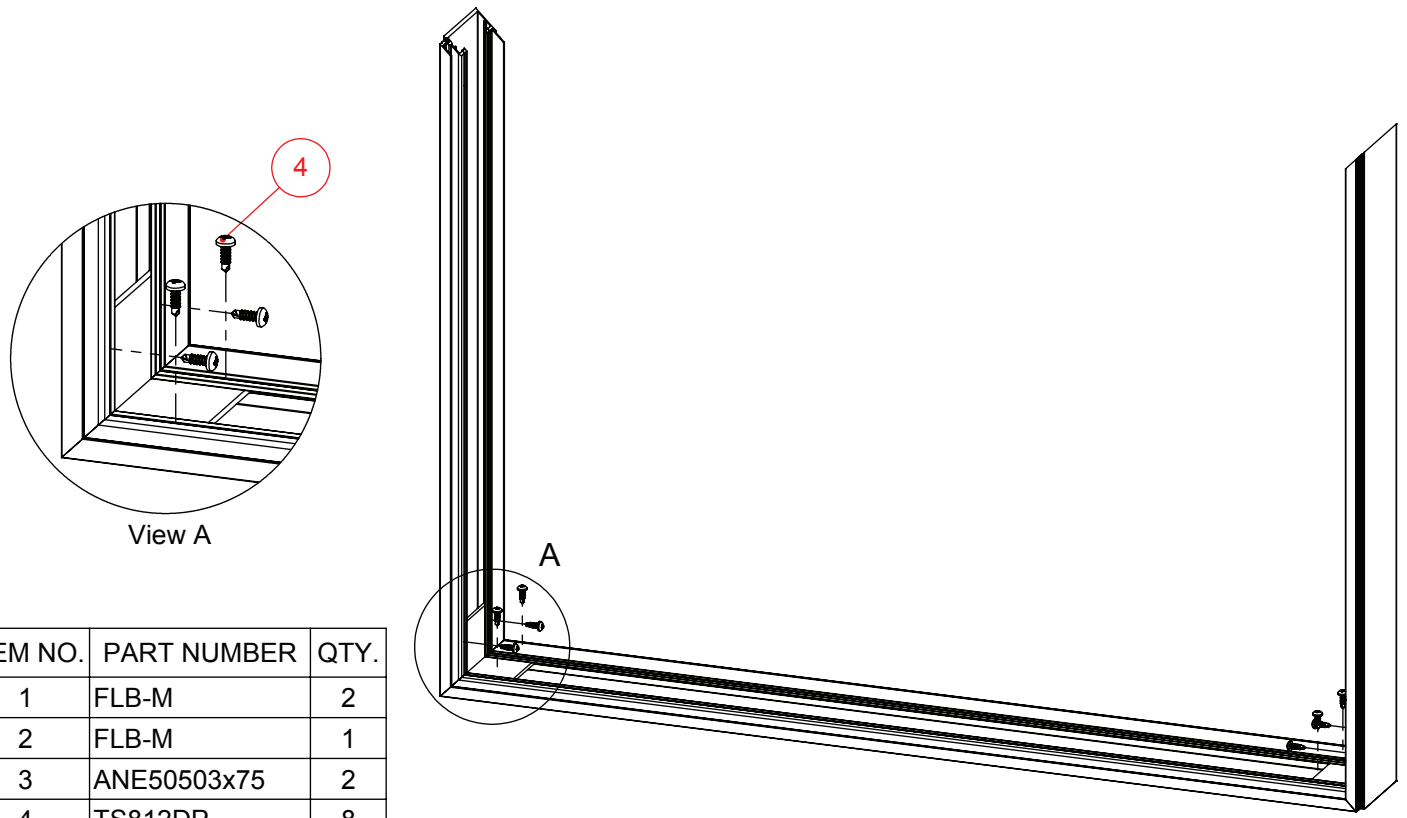
Project	Flat light box	Designer: R.C
Model	Suspended flat light box 400x1000	Date: 04/05/2014
Part Number	SUS-FLB400x1000	Scale:
Material		Measurements in millimeters Do not scale drawing

Proprietary and confidential: The information contained in this drawing is the sole property of Vista system Limited. Any reproduction; copying; distribution or any other use in part or as a whole without the written permission of Vista system Limited is prohibited. This ban includes any use by any third party that did not receive this information from Vista system Limited.

Step A



Step B



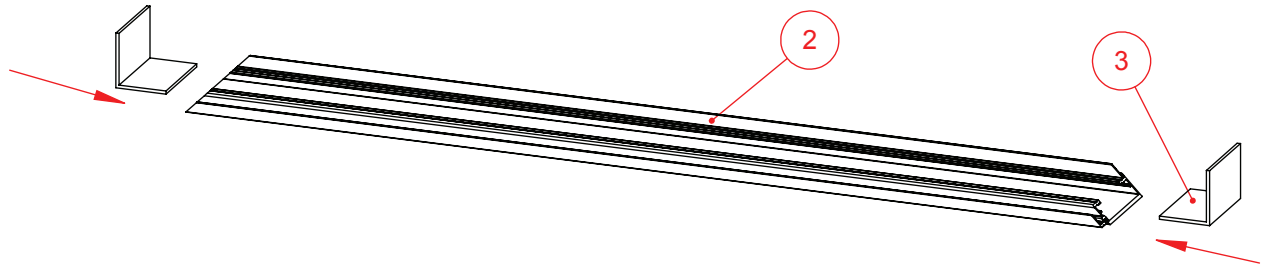
ITEM NO.	PART NUMBER	QTY.
1	FLB-M	2
2	FLB-M	1
3	ANE50503x75	2
4	TS812DP	8



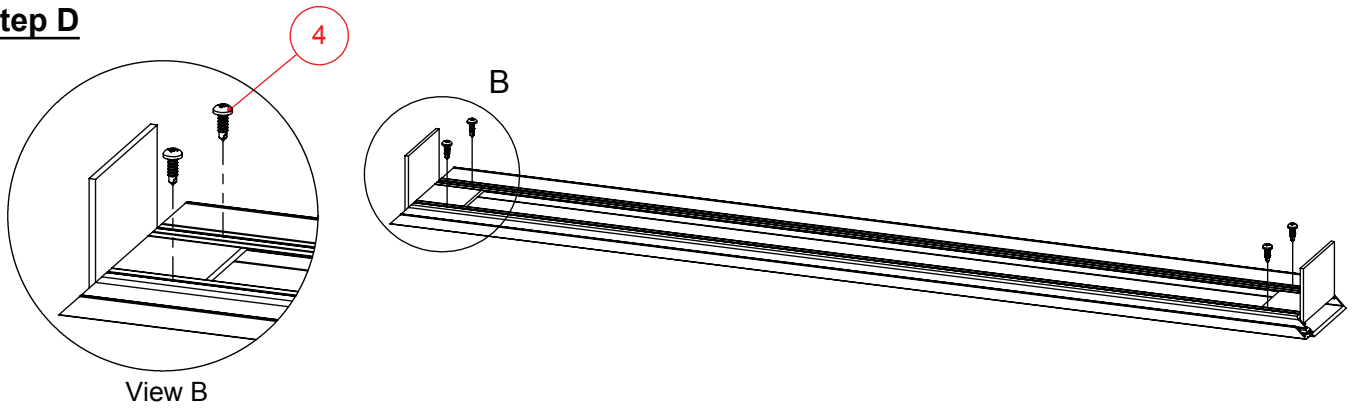
Project	FLB-SS - GAI	Designer: R.C
Model	Single sided Wall frame Flat Light Box (FLB-SS)	Date: 07/07/2016
Part Number		Scale:
Material		Measurements in millimeters Do not scale drawing

Proprietary and confidential: The information contained in this drawing is the sole property of Vista system Limited. Any reproduction; copying; distribution or any other use in part or as a whole without the written permission of Vista system Limited is prohibited. This ban includes any use by any third party that did not receive this information from Vista system Limited.

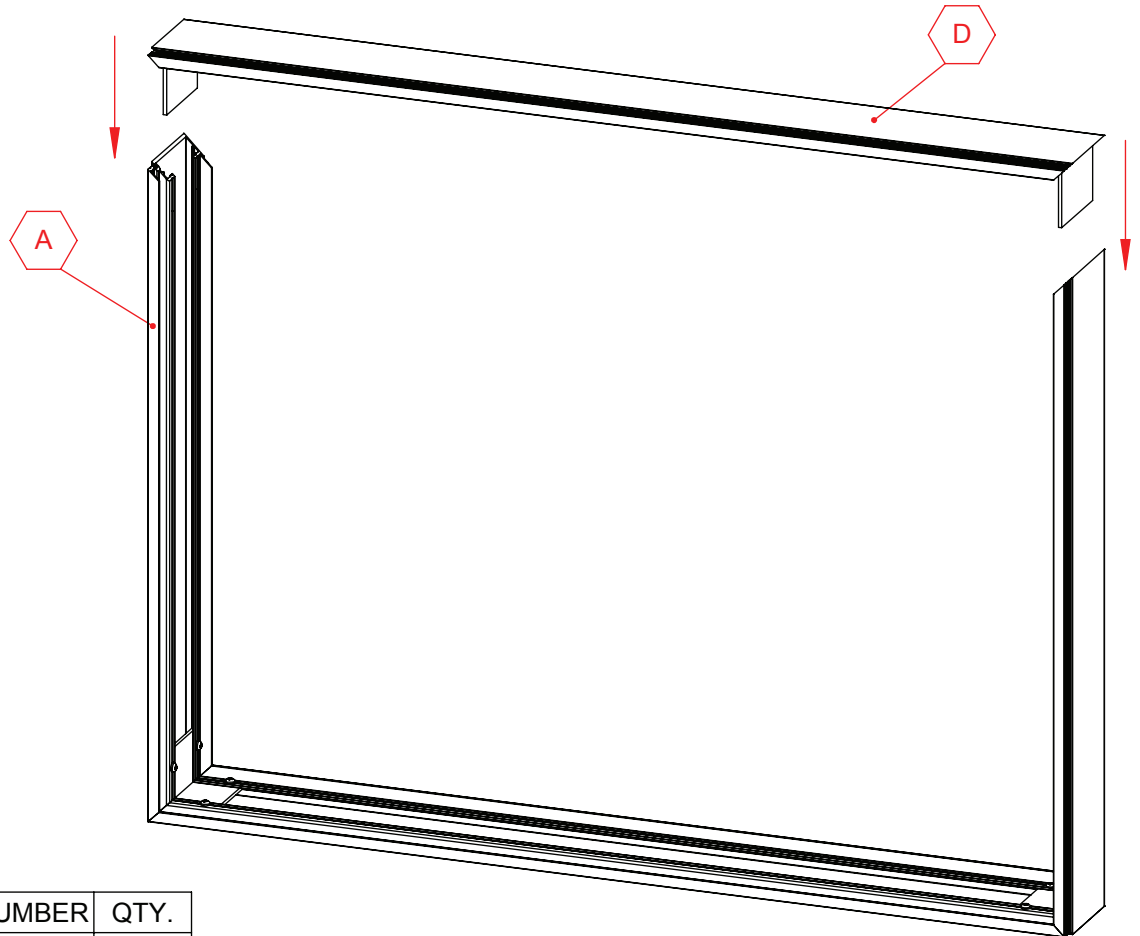
Step C



Step D



Step E

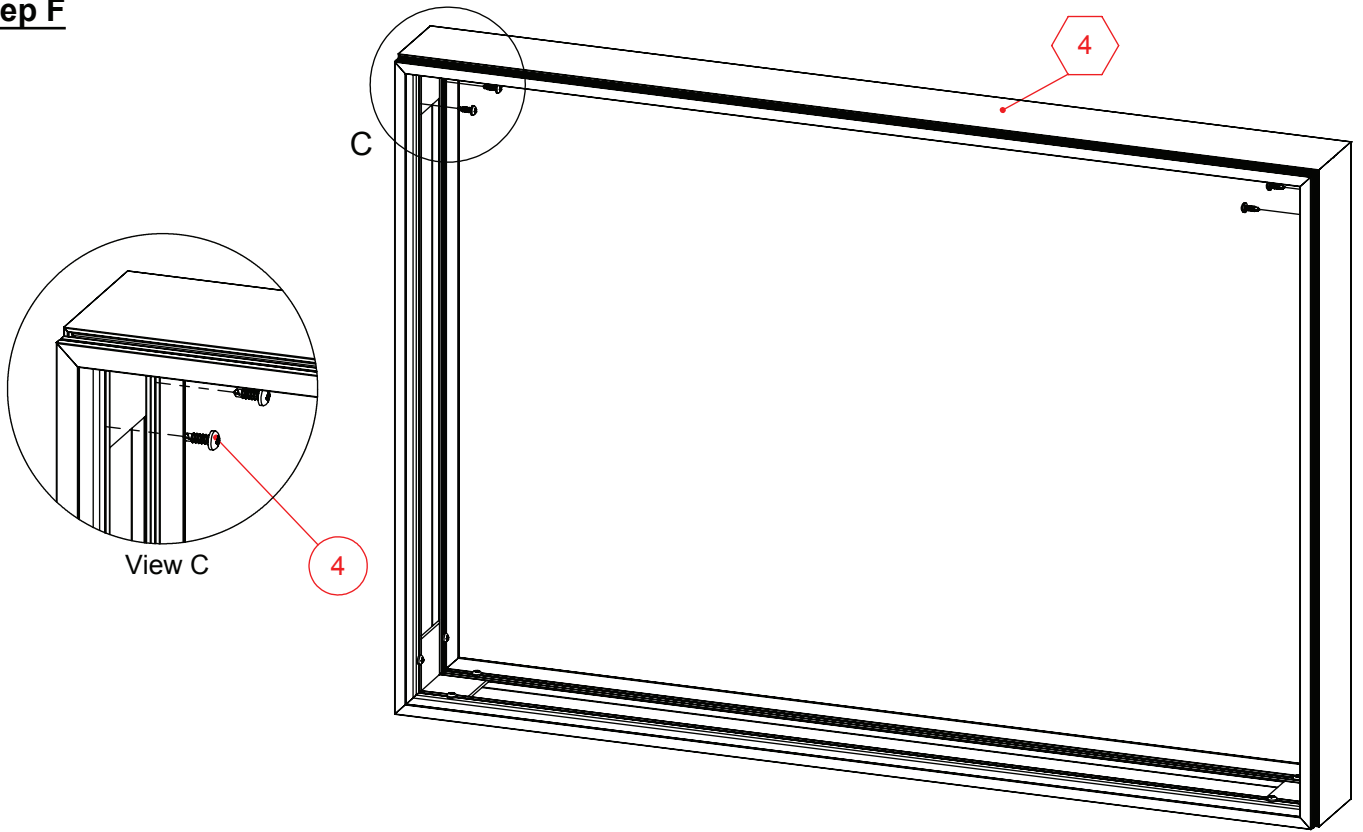


ITEM NO.	PART NUMBER	QTY.
2	FLB-M	1
3	ANE50503x75	2
4	TS812DP	4

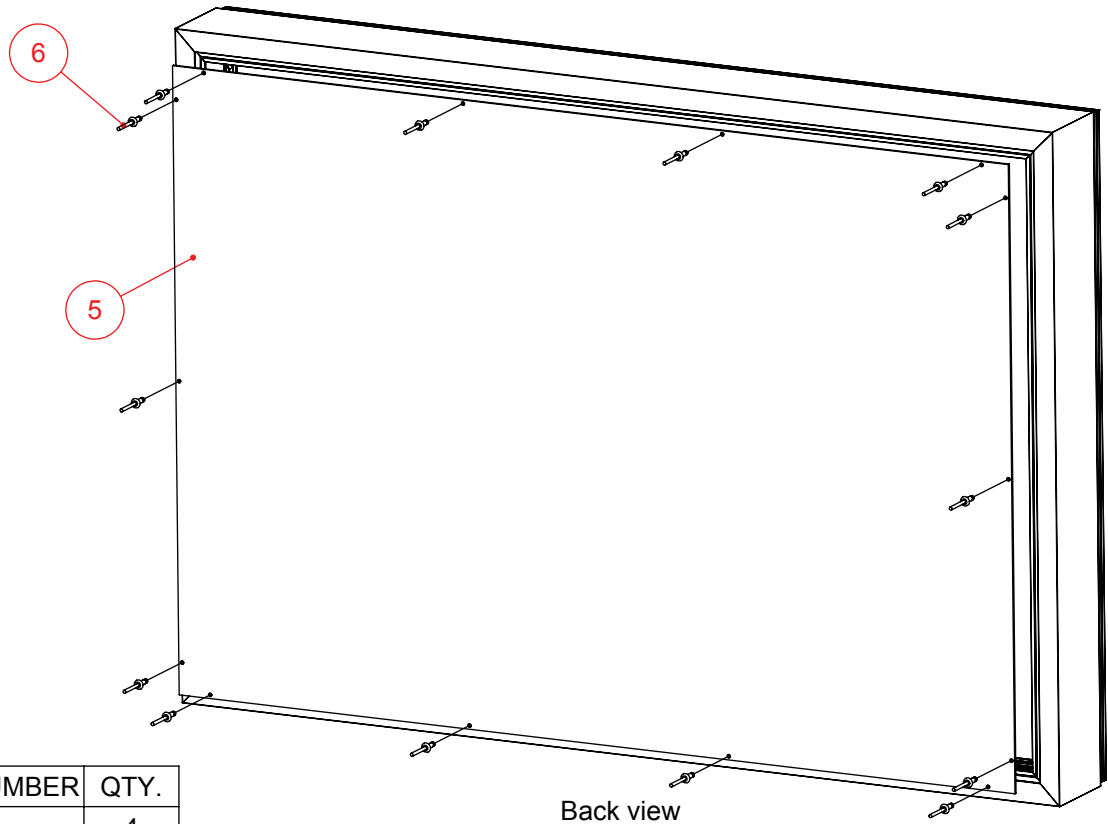
Project	FLB-SS - GAI	Designer: R.C
Model	Single sided Wall frame Flat Light Box (FLB-SS)	Date: 07/07/2016
Part Number		Scale:
Material		Measurements in millimeters Do not scale drawing

Proprietary and confidential: The information contained in this drawing is the sole property of Vista system Limited.
Any reproduction; copying; distribution or any other use in part or as a whole without the written permission of Vista system Limited is prohibited.
This ban includes any use by any third party that did not receive this information from Vista system Limited.

Step F



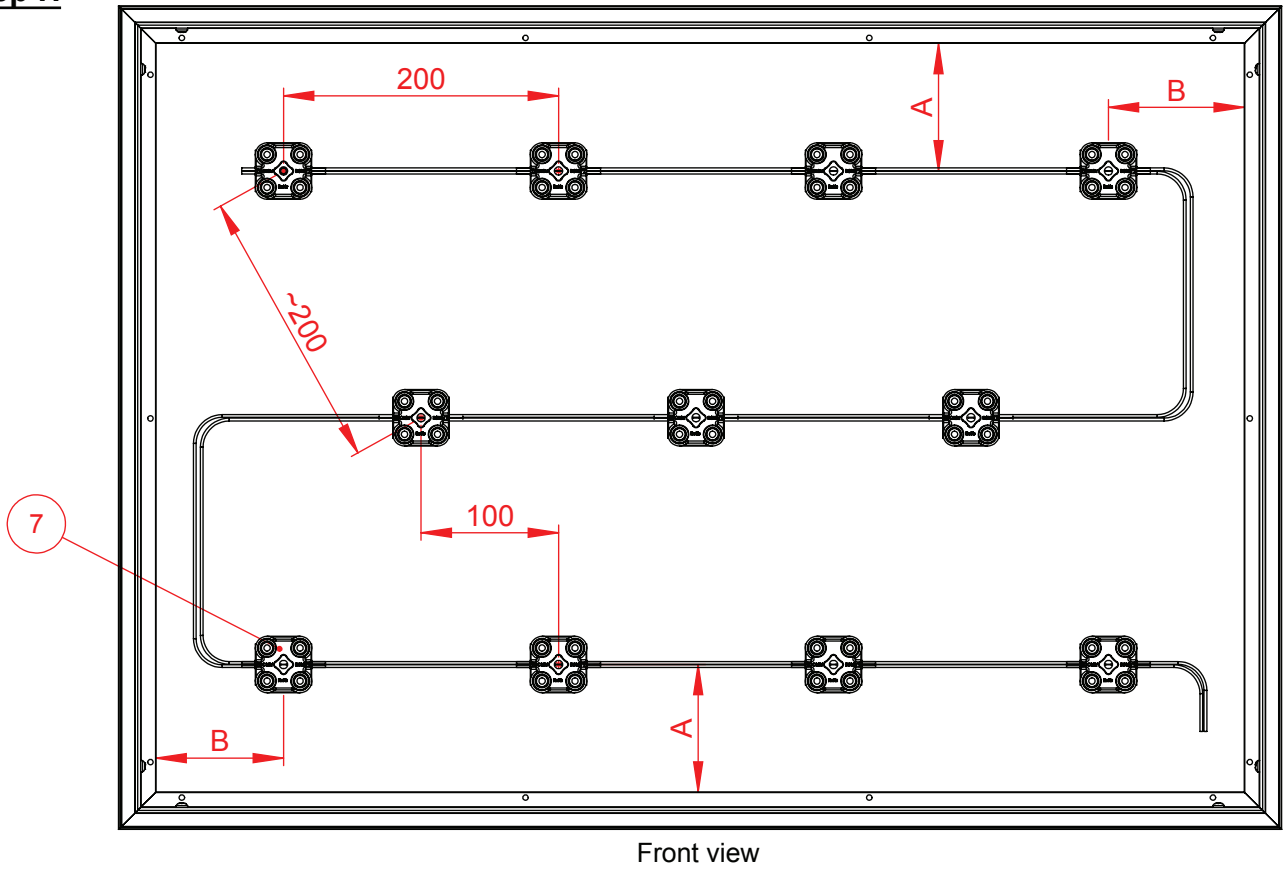
Step G



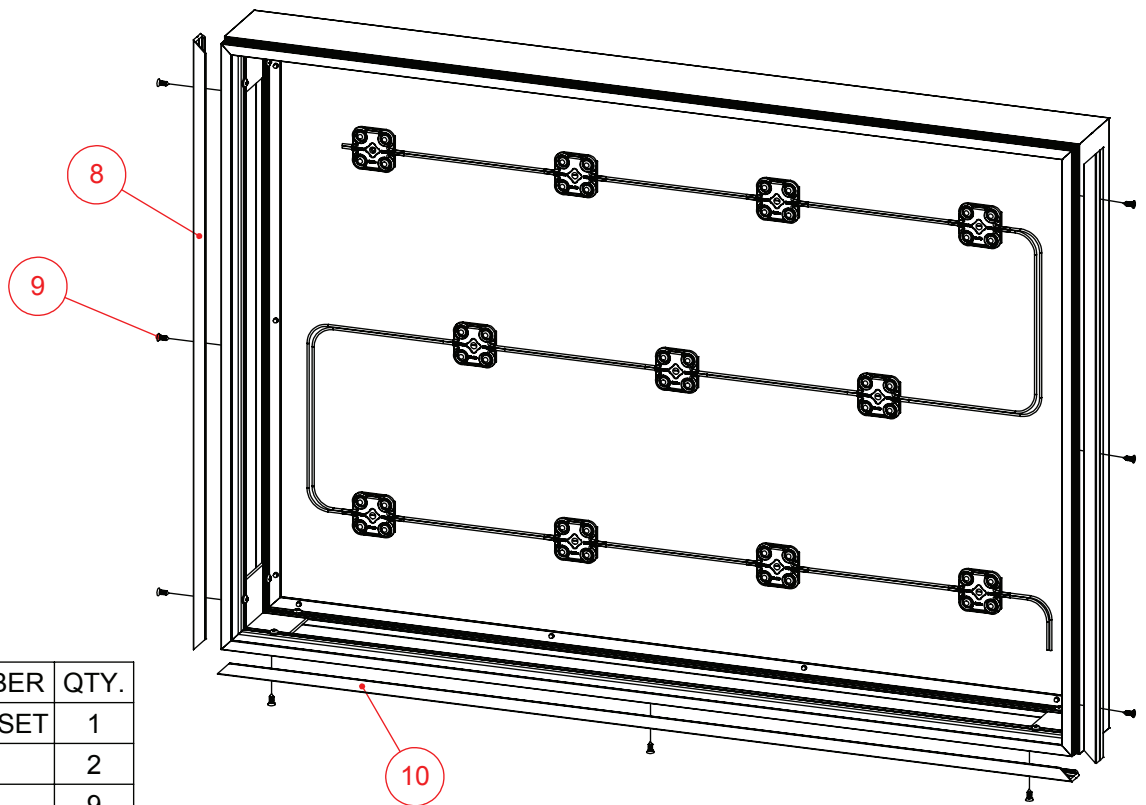
ITEM NO.	PART NUMBER	QTY.
4	TS812DP	4
5	XBond-FLB-SS	1
6	Rivet	14

Project	FLB-SS - GAI	Designer: R.C
Model	Single sided Wall frame Flat Light Box (FLB-SS)	Date: 07/07/2016
Part Number		Scale:
Material		Measurements in millimeters Do not scale drawing
<p>Proprietary and confidential: The information contained in this drawing is the sole property of Vista system Limited. Any reproduction; copying; distribution or any other use in part or as a whole without the written permission of Vista system Limited is prohibited. This ban includes any use by any third party that did not receive this information from Vista system Limited.</p>		

Step H



Step I

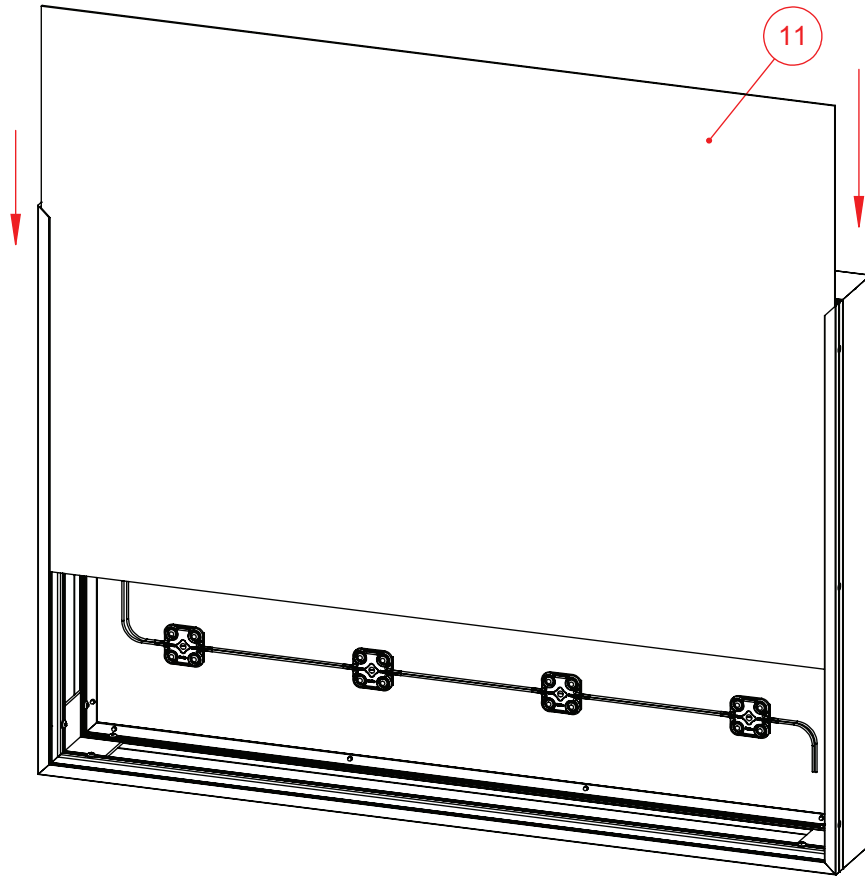


ITEM NO.	PART NUMBER	QTY.
7	LED2WML4-SET	1
8	FLB-C	2
9	TS438	9
10	FLB-C	1

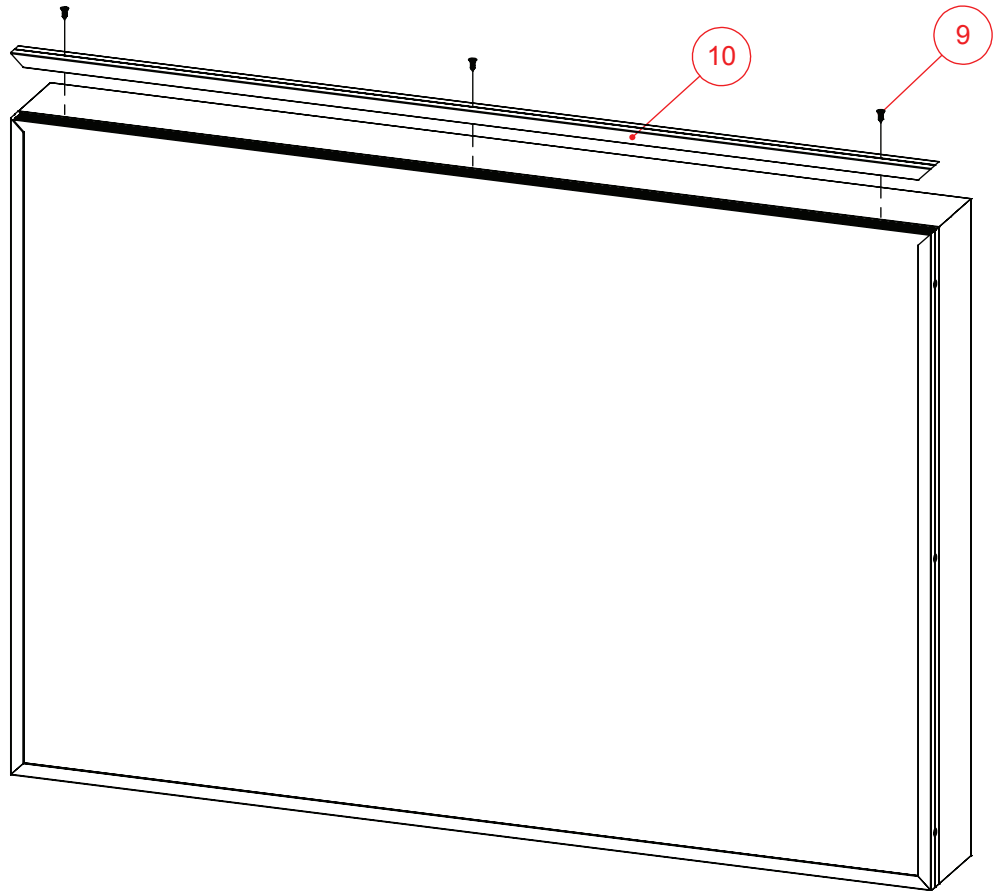
Project	FLB-SS - GAI	Designer: R.C
Model	Single sided Wall frame Flat Light Box (FLB-SS)	Date: 07/07/2016
Part Number		Scale:
Material		Measurements in millimeters Do not scale drawing

Proprietary and confidential: The information contained in this drawing is the sole property of Vista system Limited. Any reproduction; copying; distribution or any other use in part or as a whole without the written permission of Vista system Limited is prohibited. This ban includes any use by any third party that did not receive this information from Vista system Limited.

Step J



Step K



ITEM NO.	PART NUMBER	QTY.
9	TS438	3
10	FLB-C	1
11	CCFLB-SS	1

Project	FLB-SS - GAI	Designer: R.C
Model	Single sided Wall frame Flat Light Box (FLB-SS)	Date: 07/07/2016
Part Number		Scale:
Material		Measurements in millimeters Do not scale drawing

Proprietary and confidential: The information contained in this drawing is the sole property of Vista system Limited. Any reproduction; copying; distribution or any other use in part or as a whole without the written permission of Vista system Limited is prohibited. This ban includes any use by any third party that did not receive this information from Vista system Limited.