

Protruding signs

Vista series, Flag style



Vista's flag sign is designed to accept standard size curved extrusions to create a double sided well noticeable way-finding element. The smart design allows for an easy installation and removal of the sign for painting or other maintenance.

Dimensions:

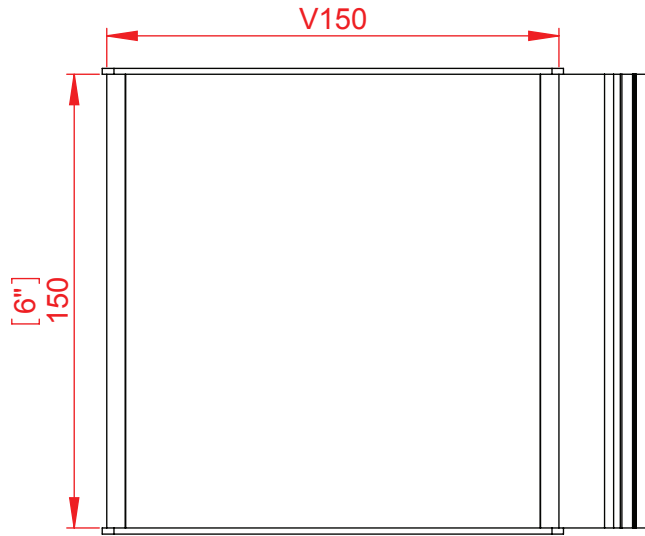
Vista Flag sign frames are offered in 9 different widths:

3.84", 4.64", 5.82", 7.8", 8.27", 8.27", 11 ", 11.69", 15.59"

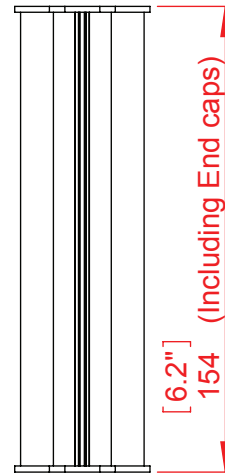
(V100, V120, V150, V200, VA4, V-Letter, V11, V300, V400 (mm))

Length: 3.93"-17" (100 mm – 432 mm)

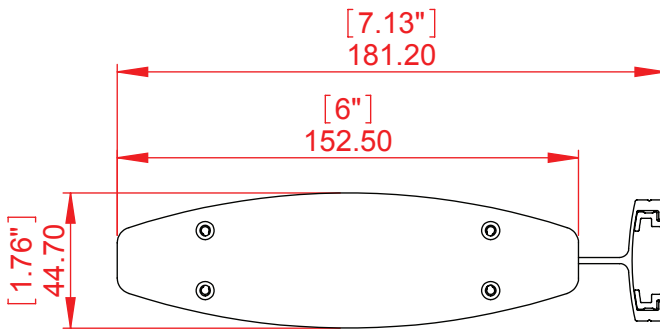
Custom lengths are available.



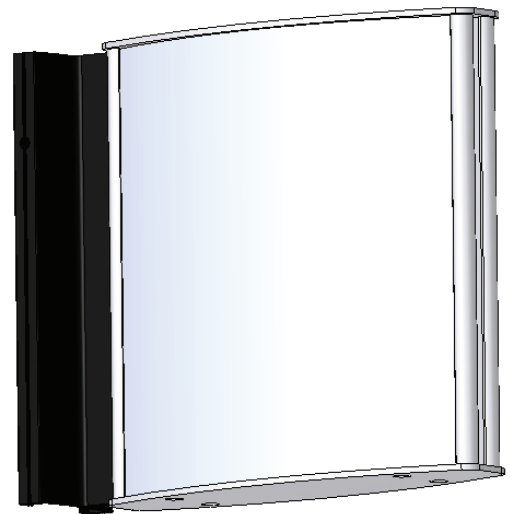
Side view



Front view



Top view



Isometric view



| | | |
|-------------|------------------------------|---|
| Project | | Designer: R.C |
| Model | Projected Flag sign V150x150 | Date: 22/03/2015 |
| Part Number | FS5 | Scale: |
| Material | | Measurements in millimeters Do not scale drawing |

Proprietary and confidential: The information contained in this drawing is the sole property of Vista system Limited. Any reproduction; copying; distribution or any other use in part or as a whole without the written permission of Vista system Limited is prohibited. This ban includes any use by any third party that did not receive this information from Vista system Limited.