

Reception Signs

Projecting Sign, Vista series, double sided-extrusion style



This sign's aluminum frame uses Vista's double sided extrusions (used also in Vista's suspended signs) to create a light weight cost-effective projecting sign. It looks like a small pylon designed to be mounted flush directly to the wall, without a base.

Dimensions:

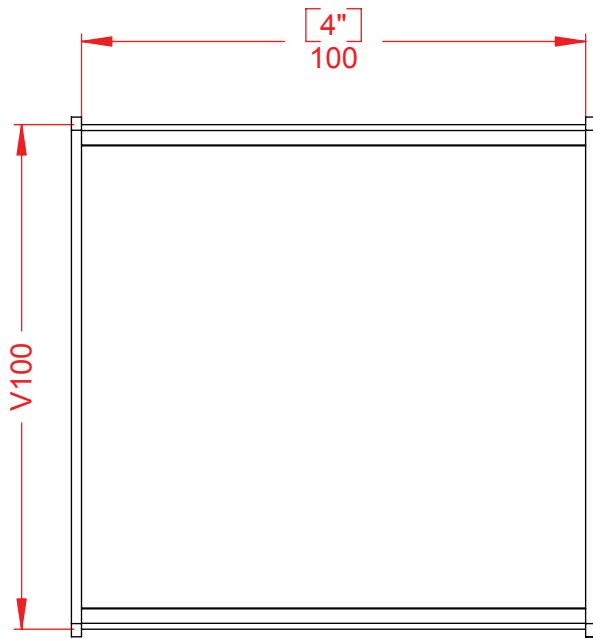
Vista, Suspended Extrusion sign frames are offered in 9 different widths:

3.93", 4.72", 5.9", 7.87", 8.46", 8.7", 11.12", 11.81", 11.88"

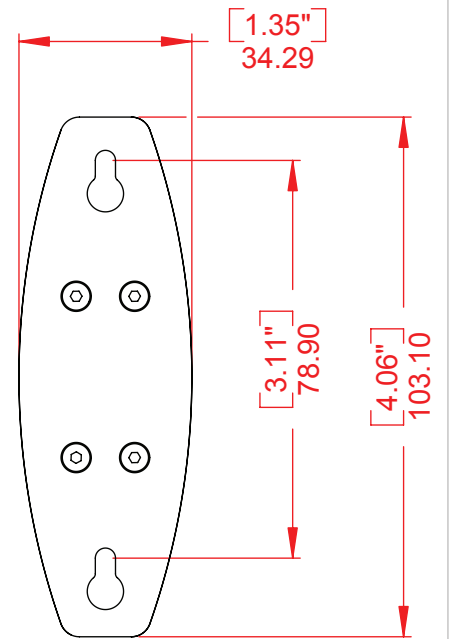
(V100, V120, V150, V200, VA4, V-Letter, V11, V300, V300 (mm))

Length: 4"-23.62" (100 mm – 600 mm)

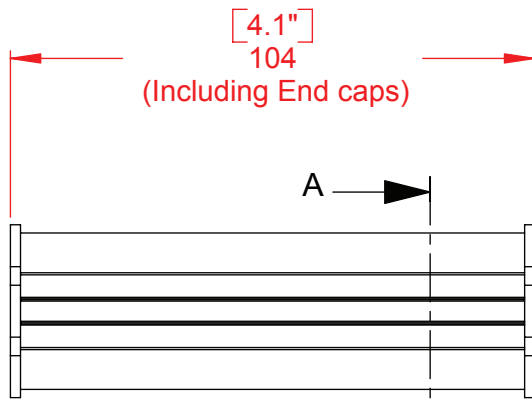
Custom lengths are available.



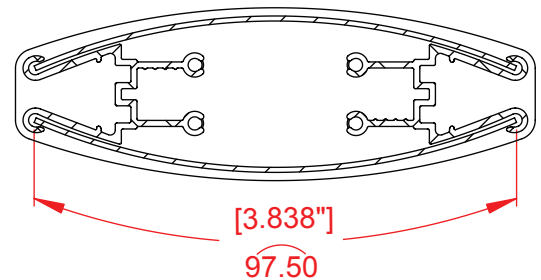
Front view



Side view

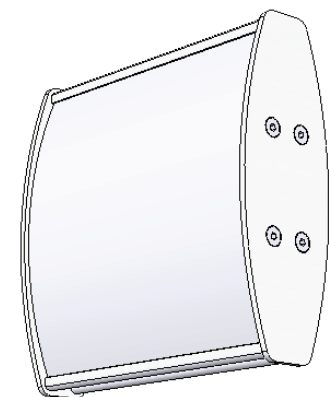


Top view



Section A-A

Visible insert- 92.7mm

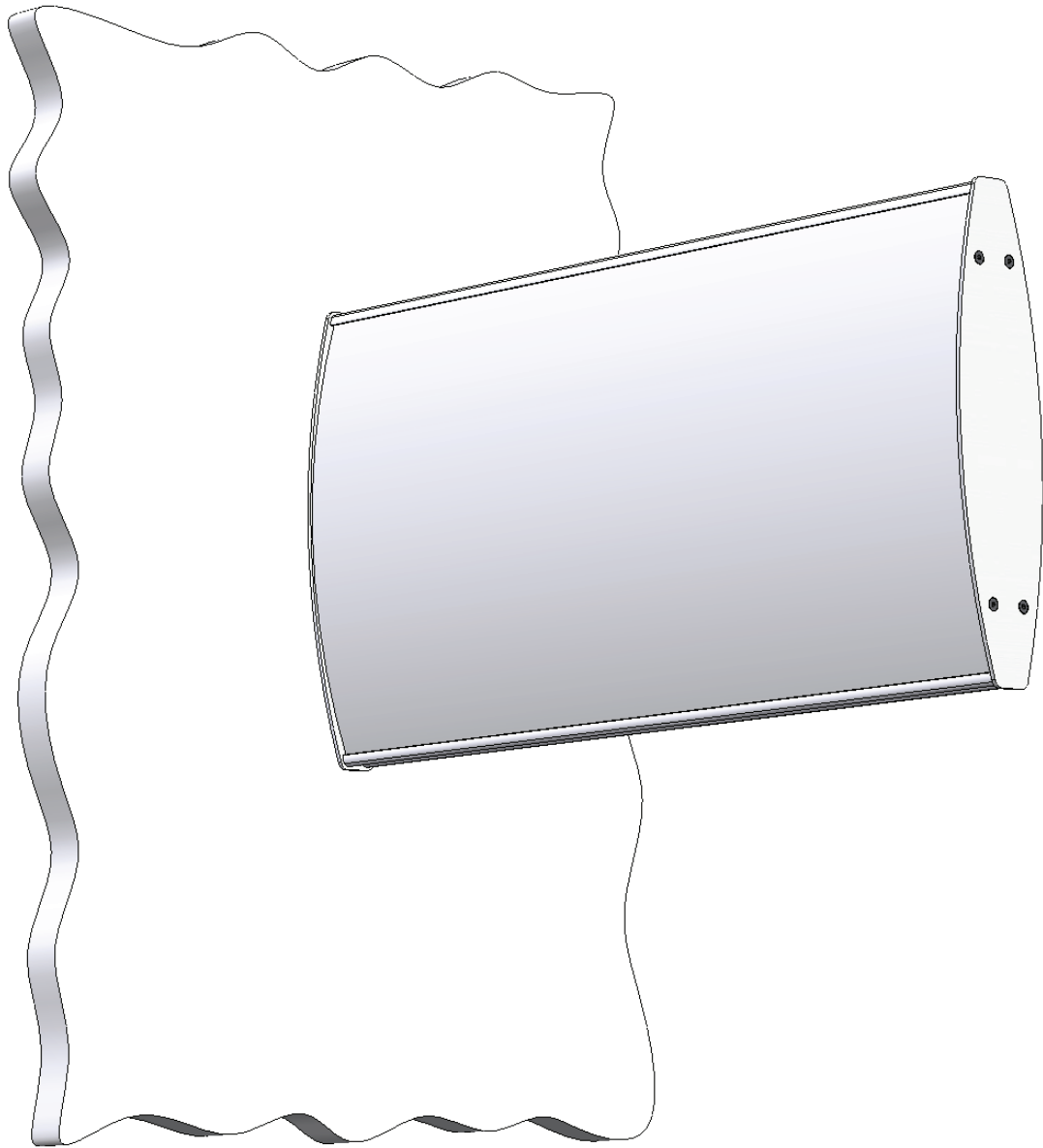


Isometric view



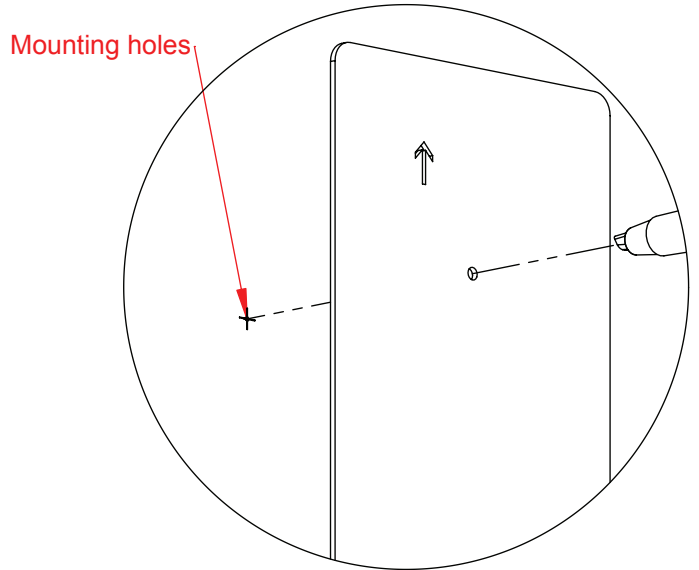
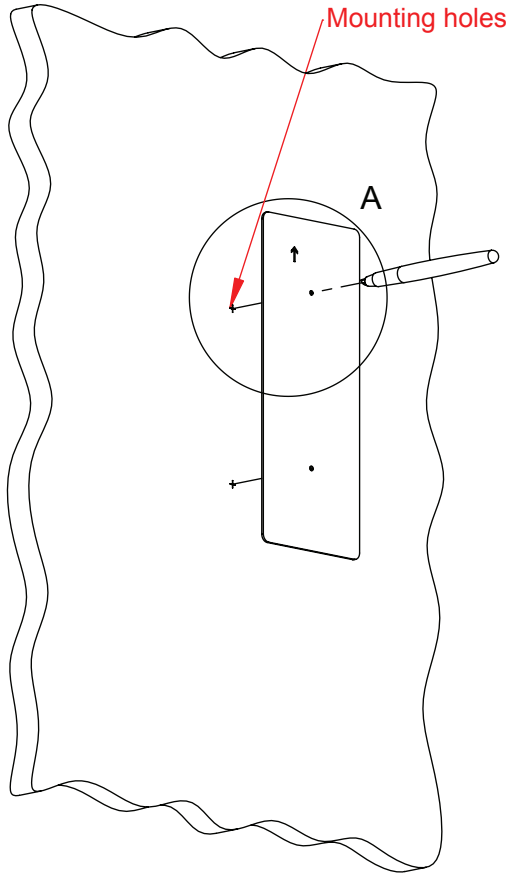
| | | |
|------------------|---|--|
| Product Families | Wall Bracket based on Suspended extrusion | Designer: Shlomit Madar |
| Model | WB-SUS100 x 100 (4") | Date: 8/10/2010 |
| Catalog P/N | WBSUS101 | Measurements in millimeters. Measurements have been rounded upwards to the near decimal point. |

Proprietary and confidential: The information contained in this drawing is the sole property of Techsign advanced sign systems LTD (manufacturer of Vista system). Any reproduction; copying; distribution or any other use in part or as a whole without the written permission of Techsign is prohibited. This ban includes any use by any third party that did not receive this information from Techsign advanced sign systems LTD.



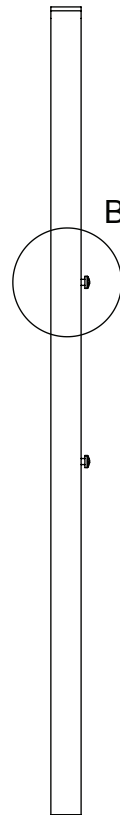
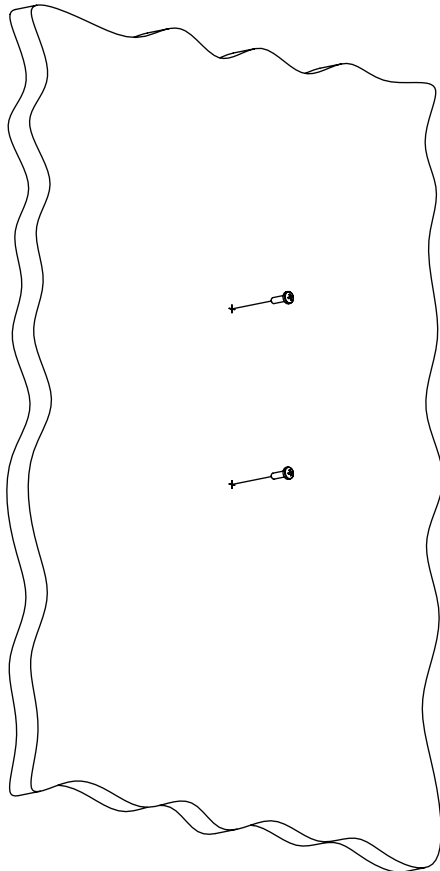
Wall Bracket- Suspended profile
INSTALLATION INSTRUCTION

Step A

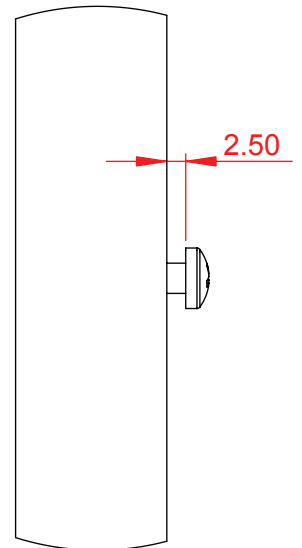


Detail A

Step B



Side view

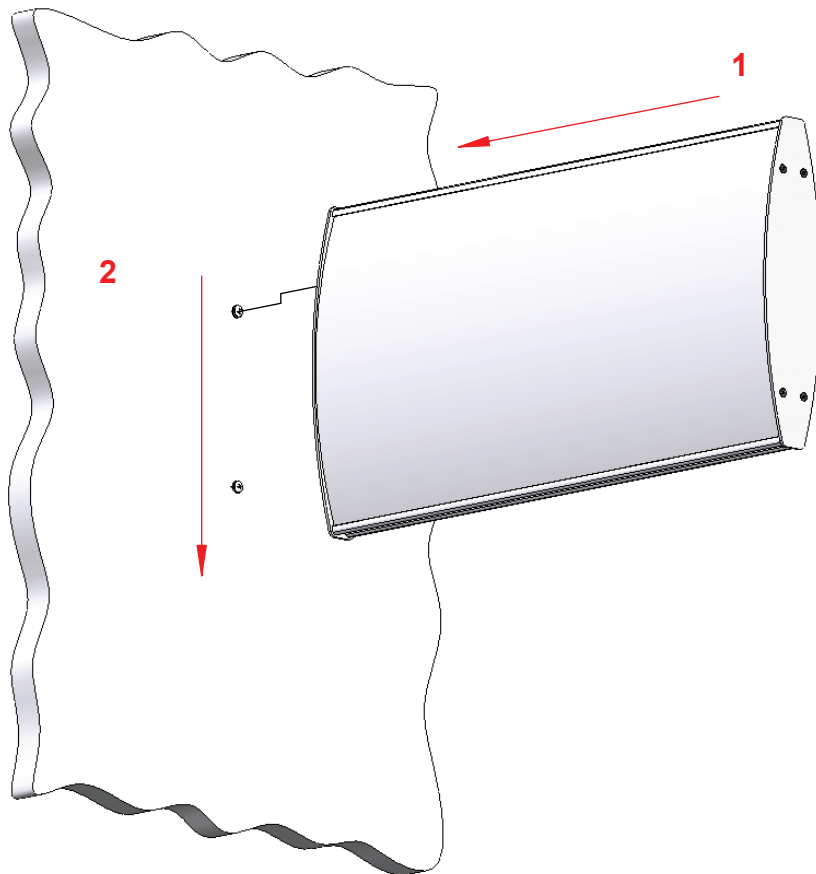
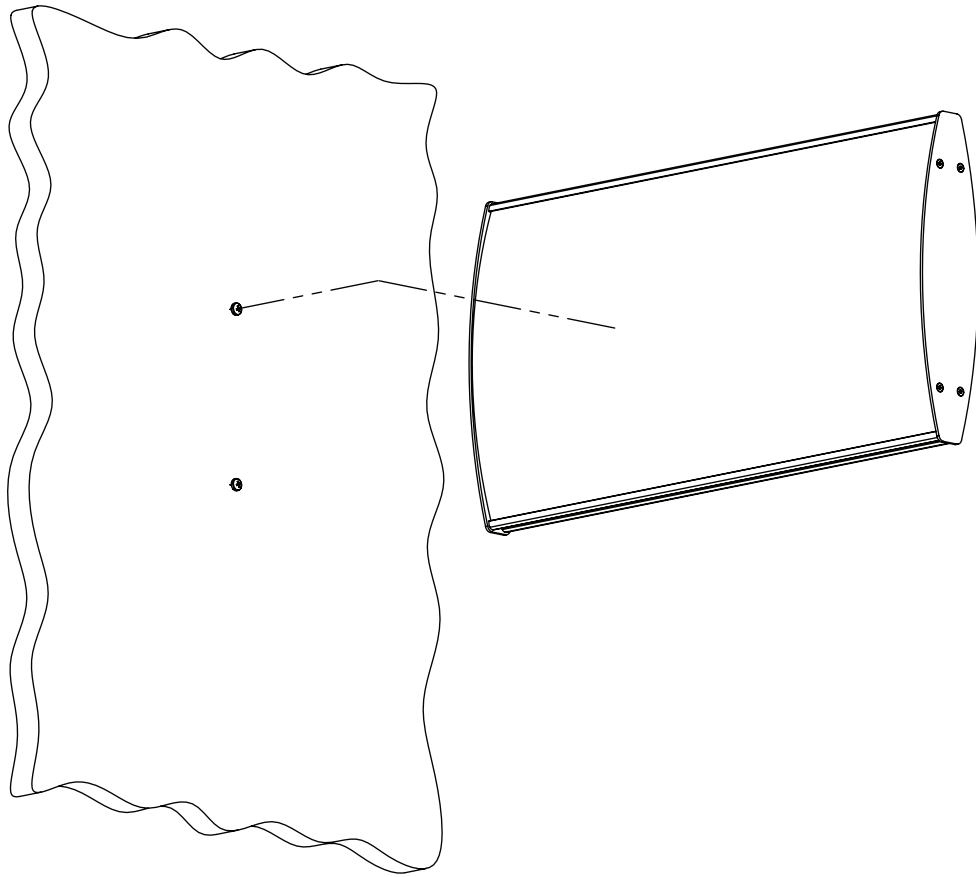


Detail B



| | | |
|---|---|---|
| Project | Wall Bracket based on Suspended extrusion | Designer: Ravit |
| Model | Installation drawing | Date: 8/10/2011 |
| Part Number | | Scale: |
| Material | | Measurements in millimeters Do not scale drawing |
| <p>Proprietary and confidential: The information contained in this drawing is the sole property of Techsign advanced sign systems LTD (manufacturer of Vista system). Any reproduction; copying; distribution or any other use in part or as a whole without the written permission of Techsign is prohibited. This ban includes any use by any third party that did not receive this information from Techsign advanced sign systems LTD.</p> | | |

Step C



| | | |
|---|---|---|
| Project | Wall Bracket based on Suspended extrusion | Designer: Ravit |
| Model | Installation drawing | Date: 8/10/2011 |
| Part Number | | Scale: |
| Material | | Measurements in millimeters Do not scale drawing |
| <p>Proprietary and confidential: The information contained in this drawing is the sole property of Techsign advanced sign systems LTD (manufacturer of Vista system). Any reproduction; copying; distribution or any other use in part or as a whole without the written permission of Techsign is prohibited. This ban includes any use by any third party that did not receive this information from Techsign advanced sign systems LTD.</p> | | |