

# Sign Frames

## Table Stand, Vista series, Boomerang style



Vista's Boomerang table stand includes stylish convex frame to hold any content relevant for counters, bars or tables, End caps and clear non-glare lenses. The sign is designed to accept standard paper or other signage substrates.

### **Dimensions:**

Boomerang sign frames are offered in 9 different widths:

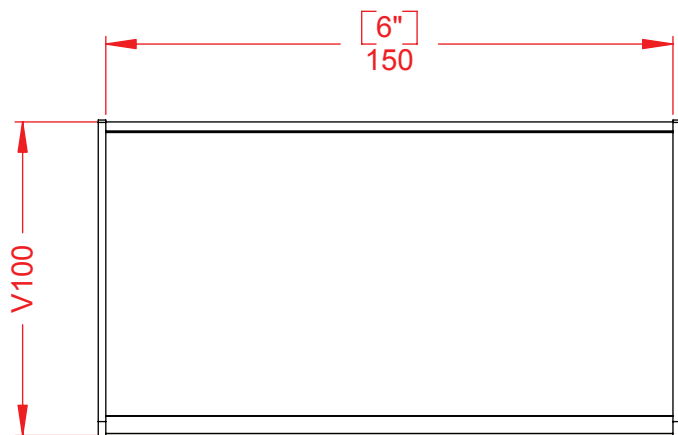
2.28", 3.07", 3.84", 4.64", 5.26", 7.8", 8.27", 8.5", 11"

(V60, V80, V100, V120, V150, V200, VA4, V-Letter, V11 (mm))

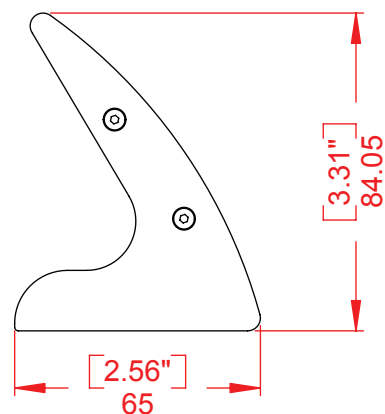
Length: 4"-14" (100 mm – 350 mm)

Custom lengths are available.

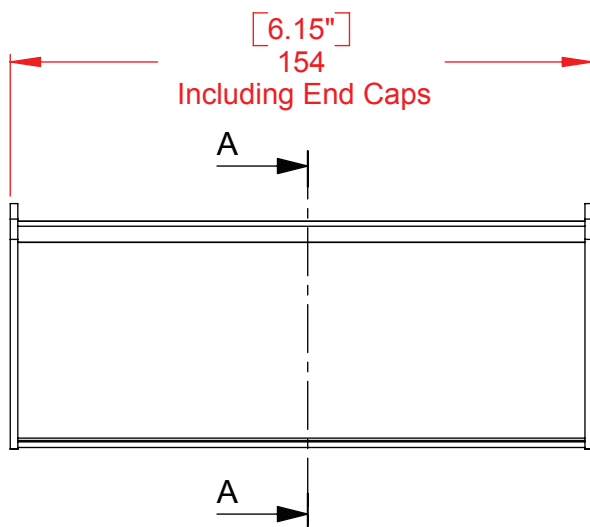
Assembly Drawing - Vista series, Boomerang style



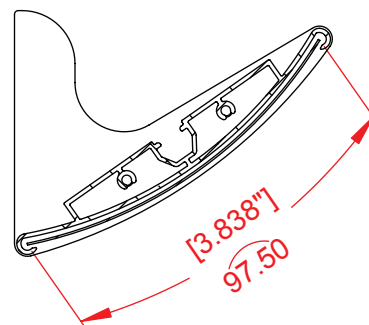
Front view



Side view

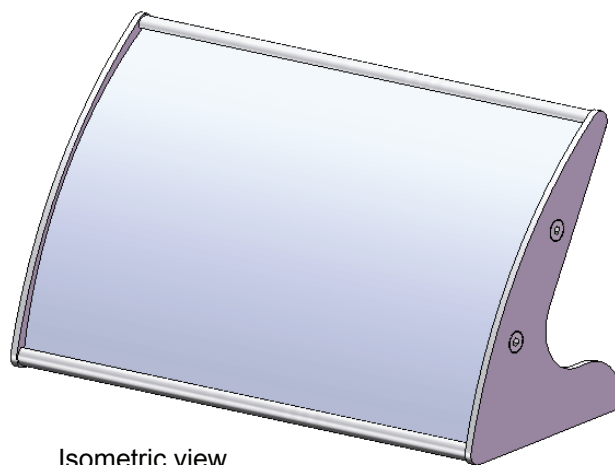


Top view



Section A-A

**Visible insert- 92.7mm**



Isometric view



Product Families Table Stand Signs  
 Model Boomerang Table Stand Signs  
 Catalog P/N T27

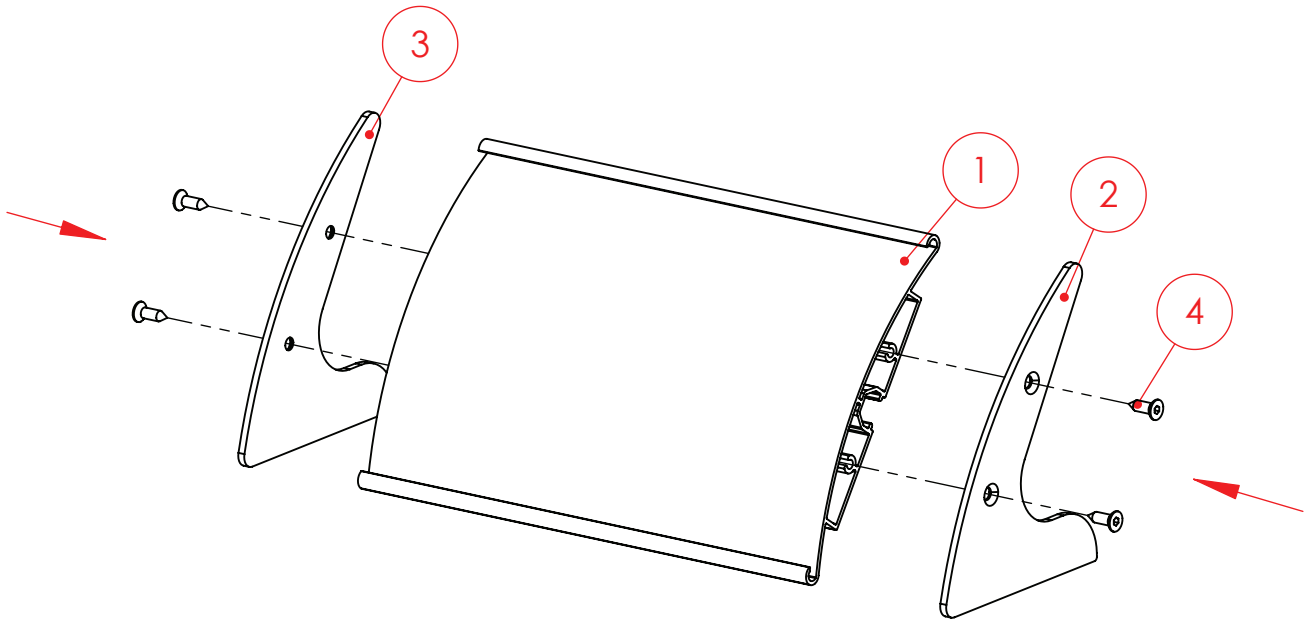
Designer: Shlomit madar  
 Date: 3/9/2010

**Proprietary and confidential:** The information contained in this drawing is the sole property of Techsign advanced sign systems LTD (manufacturer of Vista system). Any reproduction; copying; distribution or any other use in part or as a whole without the written permission of Techsign is prohibited. This ban includes any use by any third party that did not receive this information from Techsign advanced sign systems LTD.

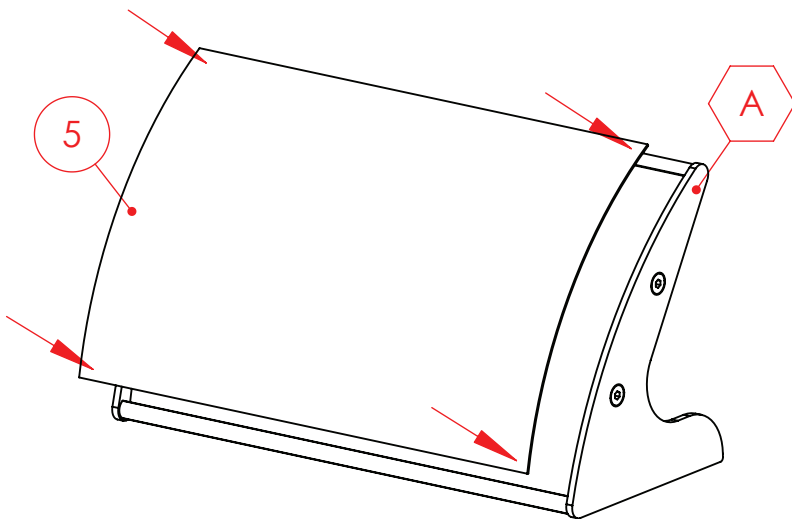
Measurements in millimeters. Measurements have been rounded upwards to the near decimal point.

Assembly Instructions - Vista series, Boomerang style

Step A



Step B



ITEM NO.	PART NUMBER	QTY.
1	V100 x 150 (6")	1
2	BMEC100Left	1
3	BMEC100Right	1
4	TS438	4
5	CC100 x 150 (6")	1
A	Step A	1



Product Families Table Stand Sign  
 Model Boomerang Table Stand Sign  
 Catalog P/N T27

Designer: Shlomit Madar

Date: 3/9/2010

Measurements in millimeters. Measurements have been rounded upwards to the near decimal point.

**Proprietary and confidential:** The information contained in this drawing is the sole property of Techsign advanced sign systems LTD (manufacturer of Vista system). Any reproduction; copying; distribution or any other use in part or as a whole without the written permission of Techsign is prohibited. This ban includes any use by any third party that did not receive this information from Techsign advanced sign systems LTD.