

Sign Stands

Pylon, Brochure Holder series

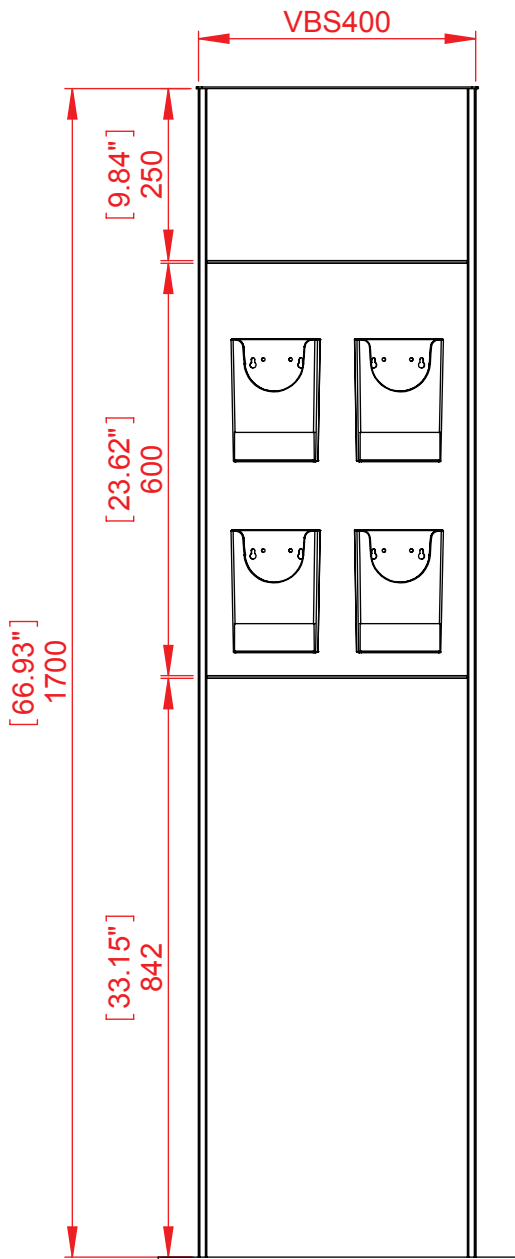


Thanks to their released back, Vista's brochure holders can be combined with either one of the pylons and stands Vista's product series offer, be it curved or flat.

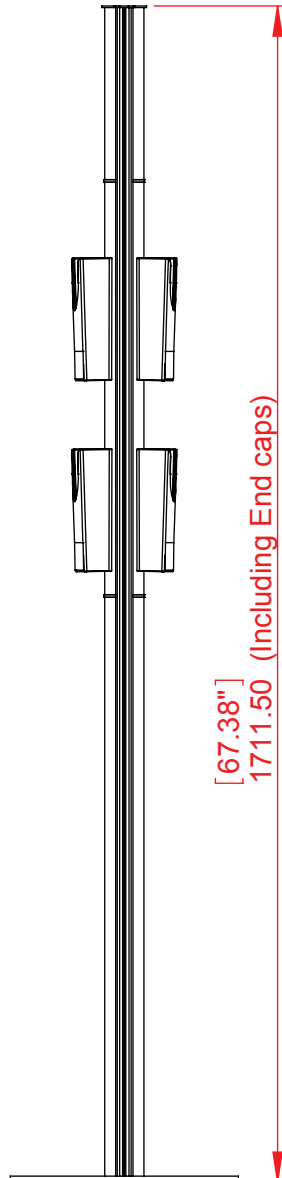
Dimensions:

Vista brochure tray comes in 3 basic sizes: 1/3 A4 (DL), A5, A4

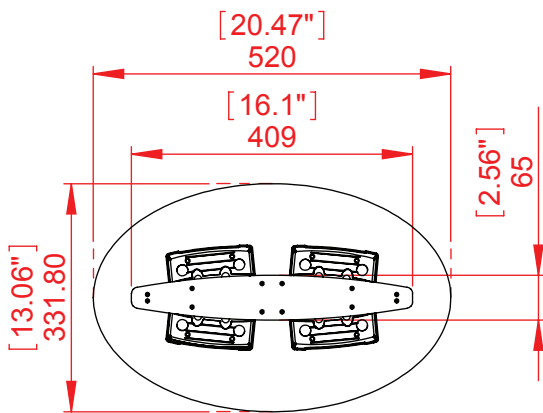
Vista brochure holders can be combined with any pylon from any Vista product series.



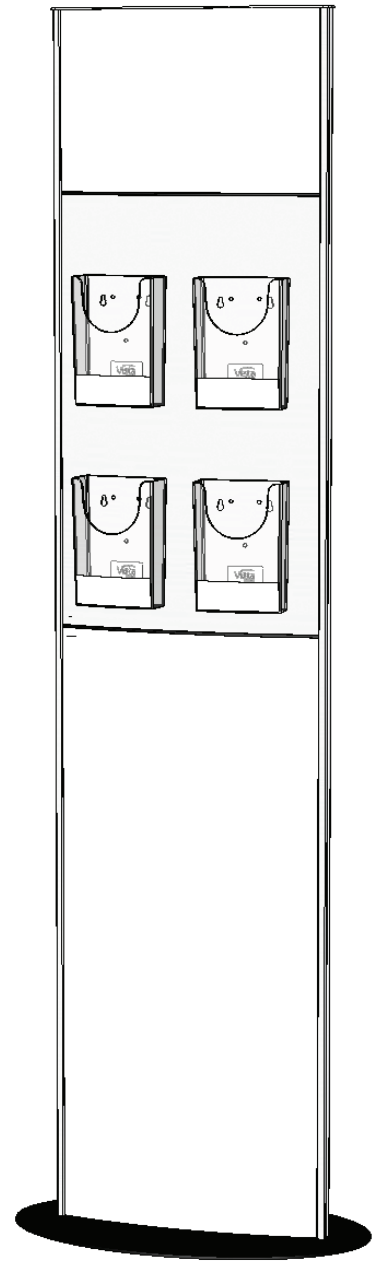
Front view



Side view



Top view



Isometric view



Product Series	Brochure Holder system	Designer: R.C
Model	Double sided VBS400x1700 slim design with BH-DL (1/3A4)	Date:28/02/2017
Part Number	BH-DS0001	Scale: 1:11
Drawing Number	BH.03	Measurements in millimeters Do not scale drawing

Proprietary and confidential: The information contained in this drawing is the sole property of Vista system Limited. Any reproduction; copying; distribution or any other use in part or as a whole without the written permission of Vista system Limited is prohibited. This ban includes any use by any third party that did not receive this information from Vista system Limited.