

Table Signs

Vista series, Kangaroo style



Vista's Kangaroo table stand includes a stylish convex frame to hold any content relevant for counters, bars or tables.

The sign is designed to accept standard paper or other signage substrates.

Dimensions:

Kangaroo sign frames are offered in 10 different widths:

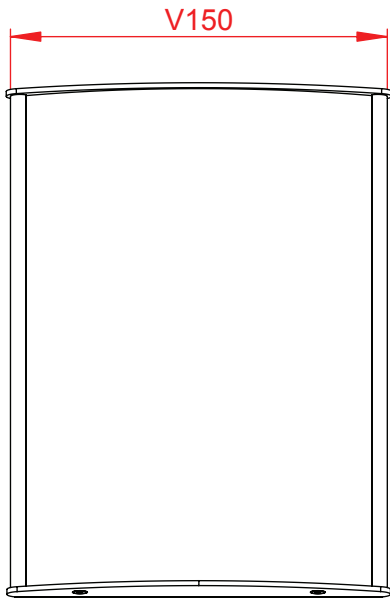
2.28", 3.07", 3.84", 4.64", 5.82", 7.8", 8.27", 8.5", 11", 11.69"

(V60, V80, V100, V120, V150, V200, VA4, V-Letter, V11, V300 (mm))

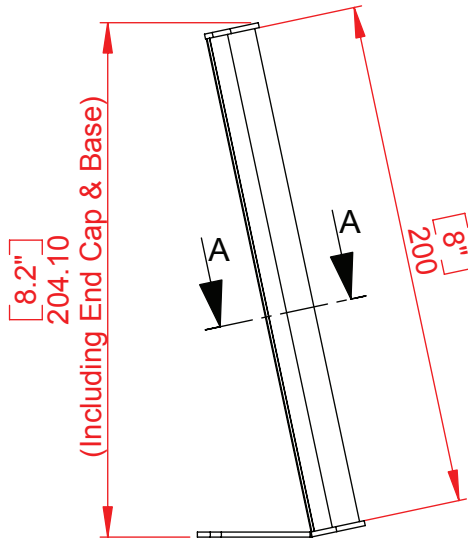
Length: 2.5"-16" (60 mm – 400 mm)

Custom lengths are available.

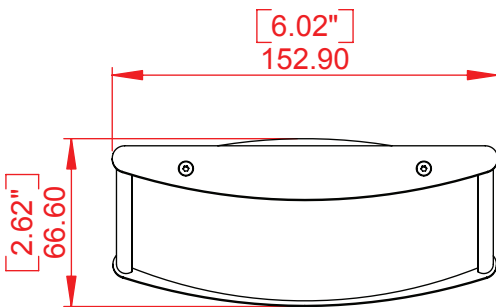
Assembly Drawing - Vista series, Kangaroo style



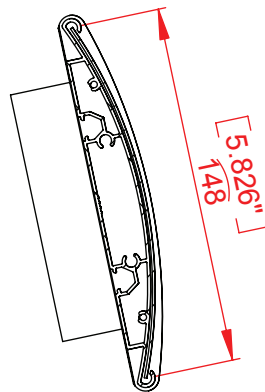
Front view



Side view



Top view



Section A-A

Visible insert- 139mm

Isometric view



Product Families Table Stand Sign
 Model Kangaroo Table Stand Sign- V150
 Catalog P/N T11

Designer: Shlomit Madar

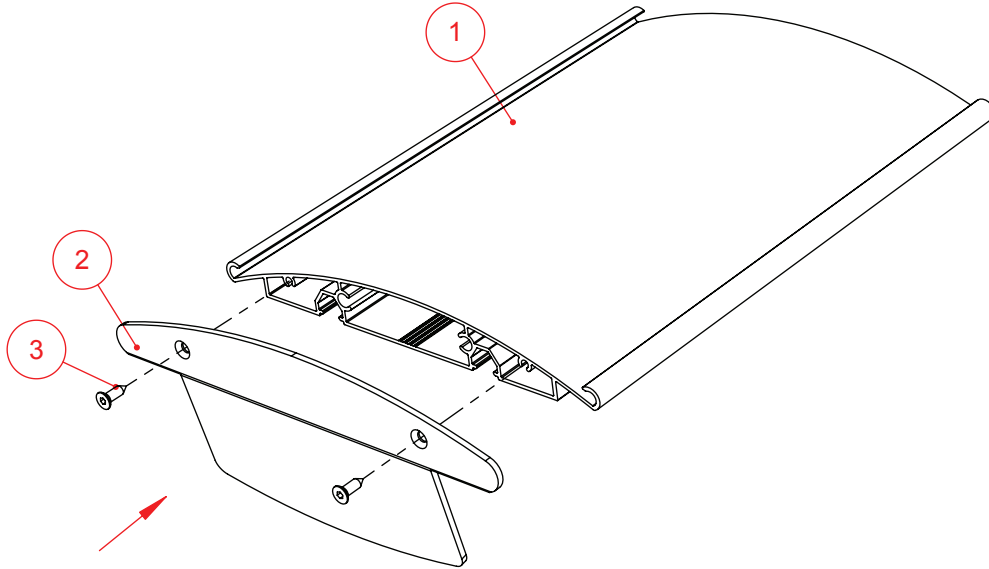
Date: 1/12/2011

Measurements in millimeters. Measurements have been rounded upwards to the near decimal point.

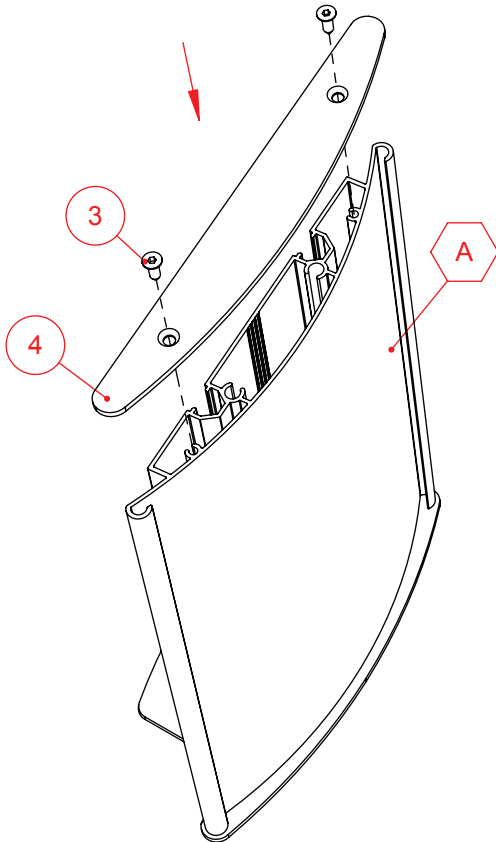
Proprietary and confidential: The information contained in this drawing is the sole property of Techsign advanced sign systems LTD (manufacturer of Vista system). Any reproduction; copying; distribution or any other use in part or as a whole without the written permission of Techsign is prohibited. This ban includes any use by any third party that did not receive this information from Techsign advanced sign systems LTD.

Assembly Instructions - Vista series, Kangaroo style

Step A



Step B



ITEM NO.	PART NUMBER	QTY.
1	V150x200 (8")	1
2	KMB150	1
3	TS438	4
4	MEC150	1
A	Step A	1



Product Families Table Stand Sign
 Model Kangaroo Table Stand Sign- V150
 Catalog P/N T11

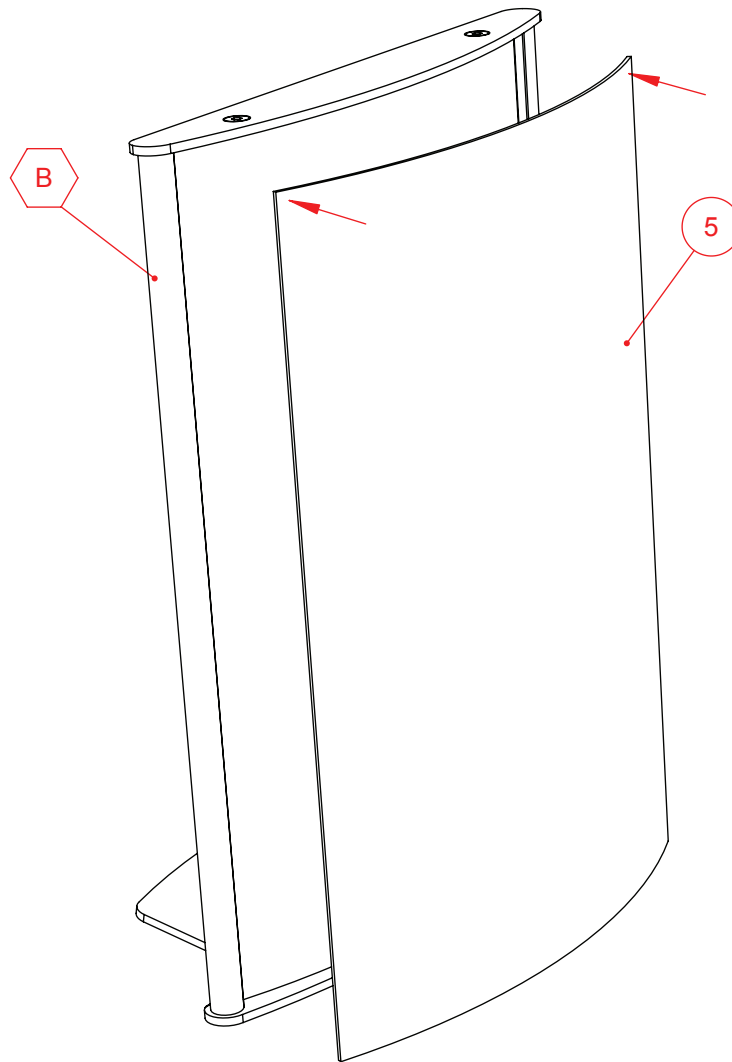
Designer: Shlomit Madar

Date: 1/12/2011

Measurements in millimeters. Measurements have been rounded upwards to the near decimal point.

Proprietary and confidential: The information contained in this drawing is the sole property of Techsign advanced sign systems LTD (manufacturer of Vista system). Any reproduction; copying; distribution or any other use in part or as a whole without the written permission of Techsign is prohibited. This ban includes any use by any third party that did not receive this information from Techsign advanced sign systems LTD.

Step C



ITEM NO.	PART NUMBER	QTY.
5	CC150x200 (8")	1
B	Step B	1



Product Families Table Stand Sign
Model Kangaroo Table Stand Sign- V150
Catalog P/N T11

Designer: Shlomit Madar

Date: 1/12/2011

Measurements in millimeters. Measurements have been rounded upwards to the near decimal point.

Proprietary and confidential: The information contained in this drawing is the sole property of Techsign advanced sign systems LTD (manufacturer of Vista system). Any reproduction; copying; distribution or any other use in part or as a whole without the written permission of Techsign is prohibited. This ban includes any use by any third party that did not receive this information from Techsign advanced sign systems LTD.